

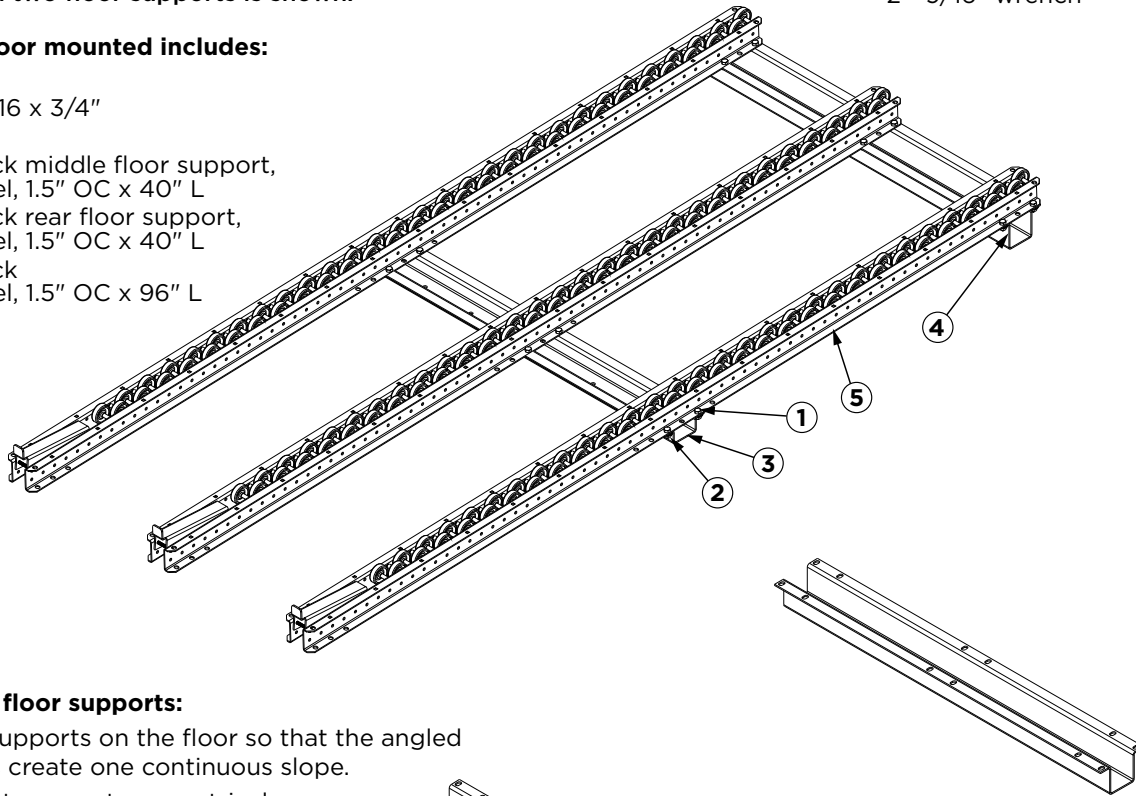
The following instructions may be used for any floor mounted pallet flow tracks. PPSW15x96 with two floor supports is shown.

Tools required for assembly:
• 2 - 9/16" wrench

Pallet Track, floor mounted includes:

(item #)

- (1) Bolt 3/8"-16 x 3/4"
- (2) Lock Nut
- (3) Pallet Track middle floor support, skatewheel, 1.5" OC x 40" L
- (4) Pallet Track rear floor support, skatewheel, 1.5" OC x 40" L
- (5) Pallet Track skatewheel, 1.5" OC x 96" L



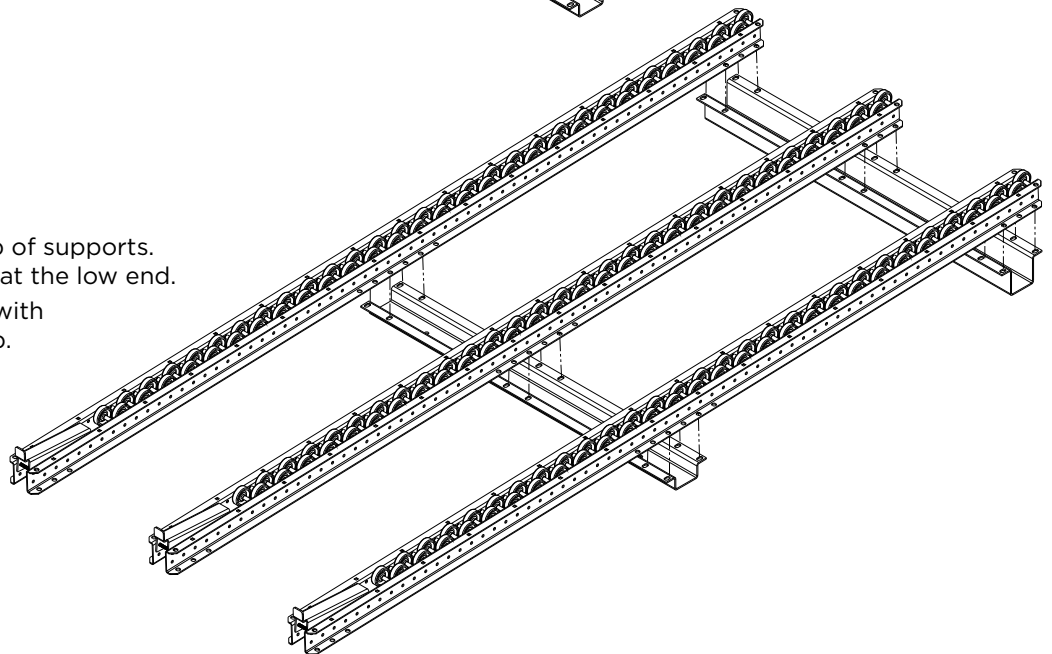
1 Installing floor supports:

1. Place supports on the floor so that the angled flanges create one continuous slope.
2. Supports are not symmetrical, one leg is longer than the other.



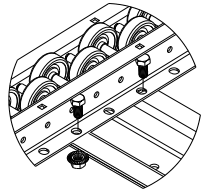
2 Installing pallet tracks:

1. Place all tracks on top of supports. Make sure the stop is at the low end.
2. Align holes of tracks with supports for next step.

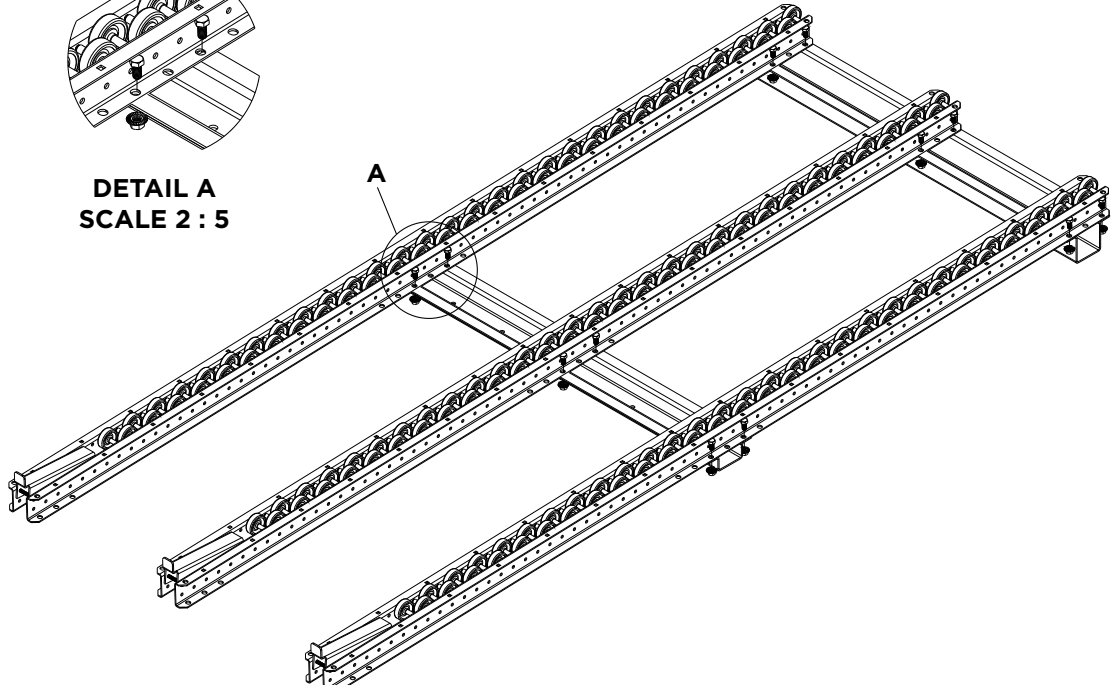


3 Installing hardware:

1. Fasten tracks to supports using 3/4" bolts (1) and lock nuts (2).



DETAIL A
SCALE 2 : 5



4 Installing floor anchors:

1. Install 3/8" floor anchors as shown by arrows to lock down the entire unit.

NOTE: Anchors are not provided by UNEX.

