

This guide illustrates how to assemble one FCSKXXX and two FCSKXXX-TAND kits only. The FCSKXXX and FCSKXXX-TAND can be any width but must all be the same depth.

The shelf kits have been identified as follows:

- X - STANDARD SHELF KIT
- Y - TANDEM SHELF KIT (INTERIOR)
- Z - TANDEM SHELF KIT (EXTERIOR)

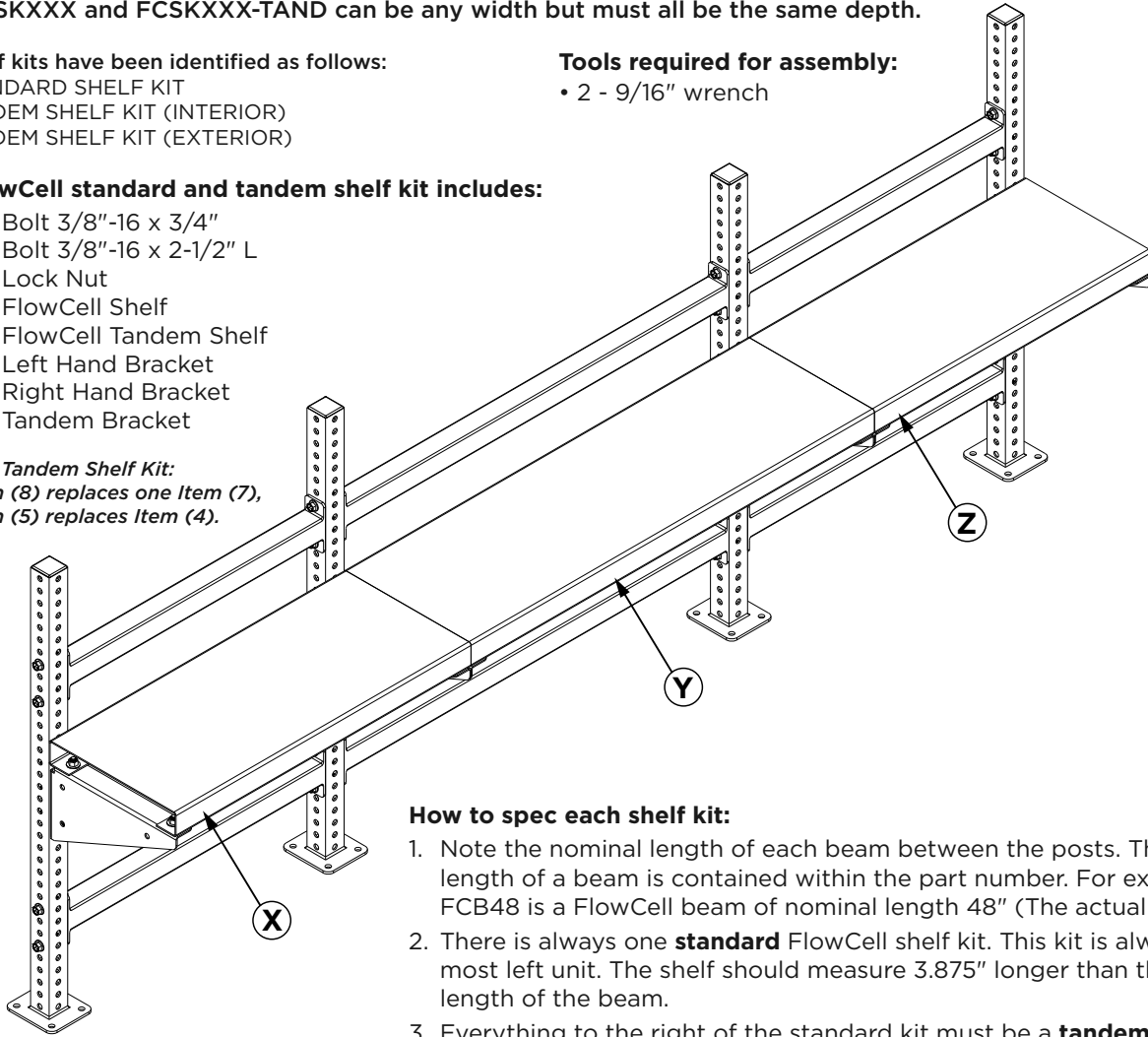
Tools required for assembly:

- 2 - 9/16" wrench

FlowCell standard and tandem shelf kit includes:

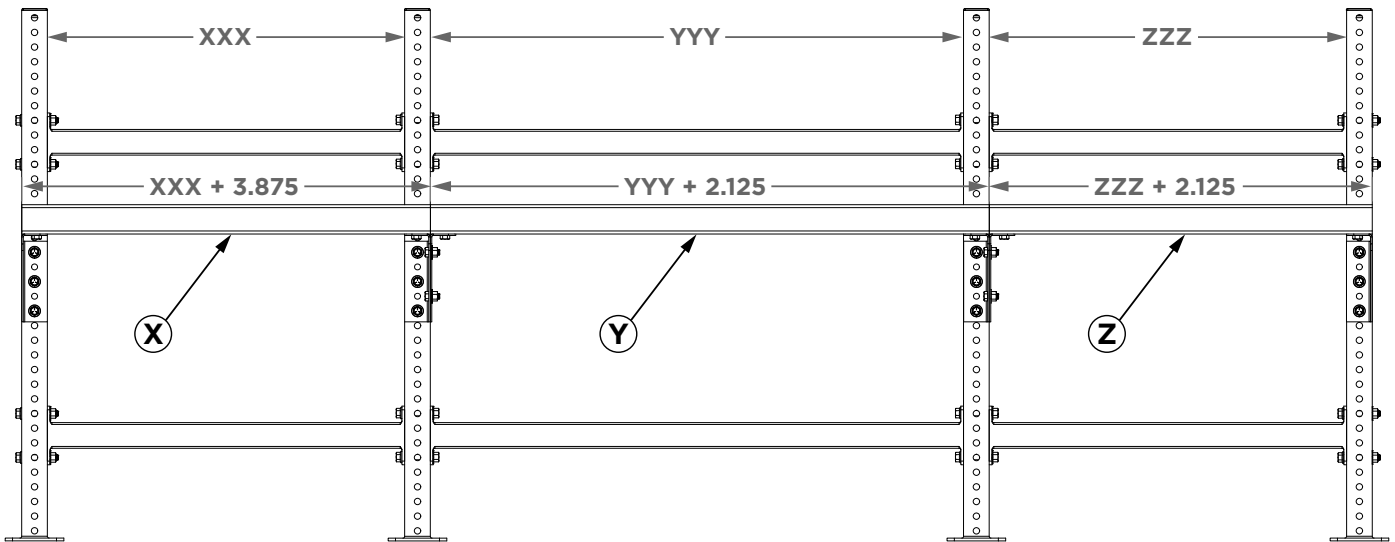
- (1) Bolt 3/8"-16 x 3/4"
- (2) Bolt 3/8"-16 x 2-1/2" L
- (3) Lock Nut
- (4) FlowCell Shelf
- (5) FlowCell Tandem Shelf
- (6) Left Hand Bracket
- (7) Right Hand Bracket
- (8) Tandem Bracket

*In a Tandem Shelf Kit:
Item (8) replaces one Item (7),
Item (5) replaces Item (4).*



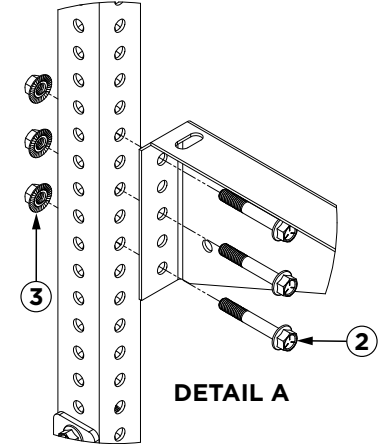
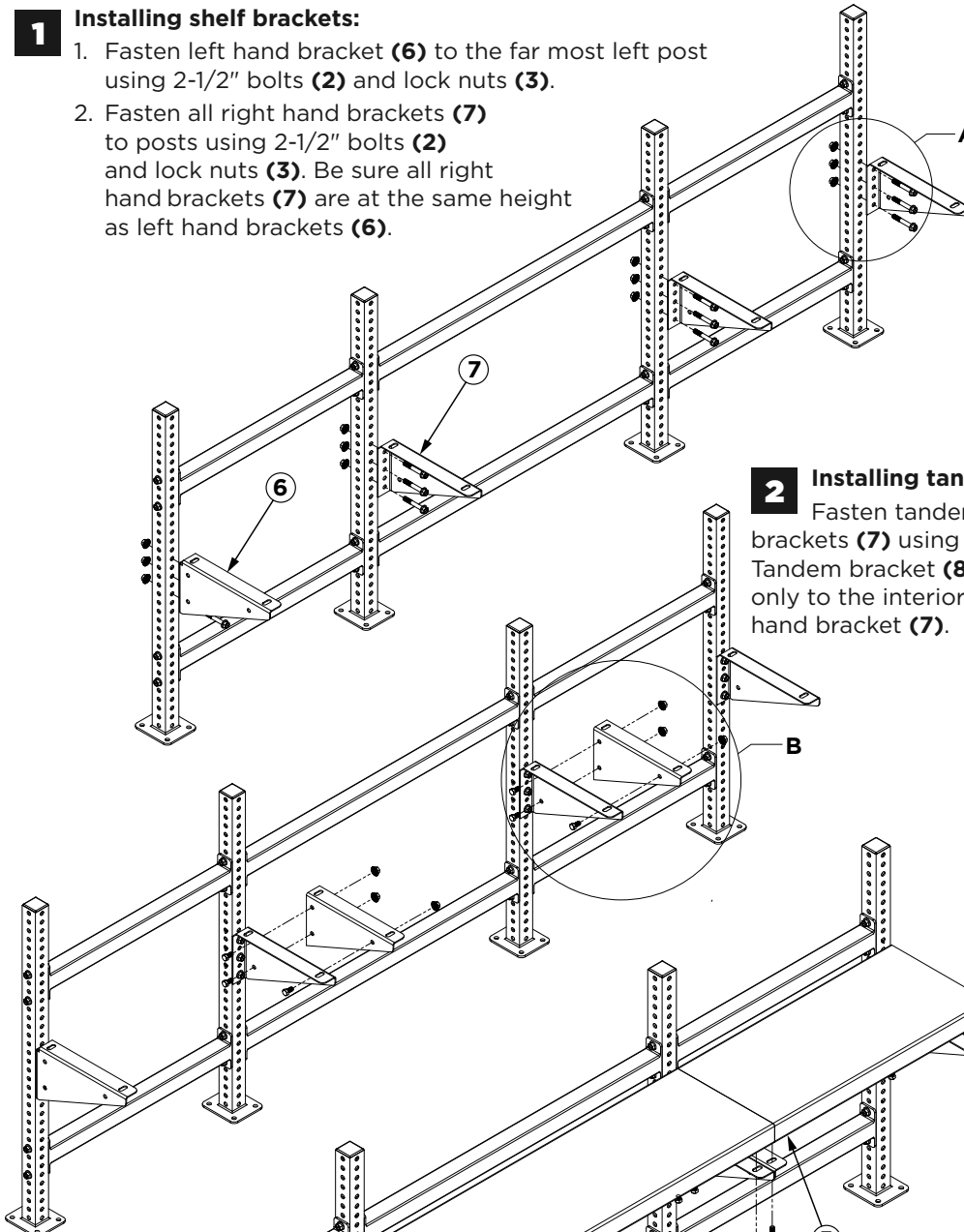
How to spec each shelf kit:

1. Note the nominal length of each beam between the posts. The nominal length of a beam is contained within the part number. For example, FCB48 is a FlowCell beam of nominal length 48" (The actual is 48.375").
2. There is always one **standard** FlowCell shelf kit. This kit is always the far most left unit. The shelf should measure 3.875" longer than the nominal length of the beam.
3. Everything to the right of the standard kit must be a **tandem** kit. They can be of any width but must be the same depth as the standard kit. The tandem shelves are 2.125" longer than the nominal length of the beam.



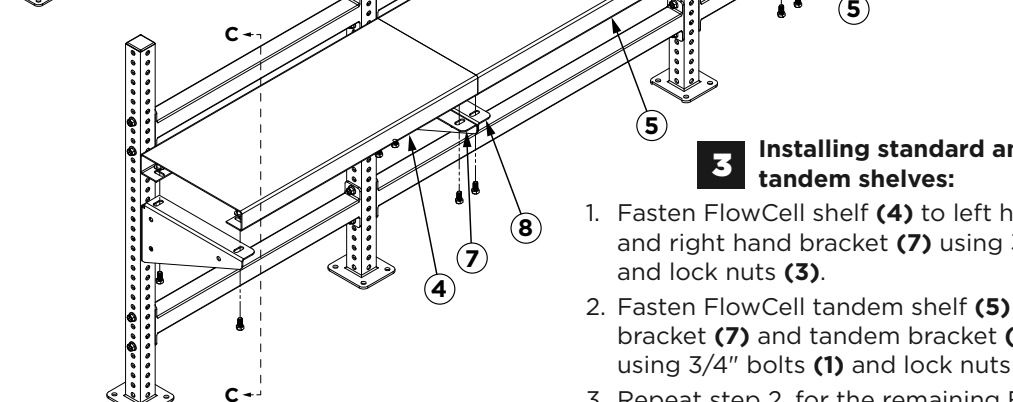
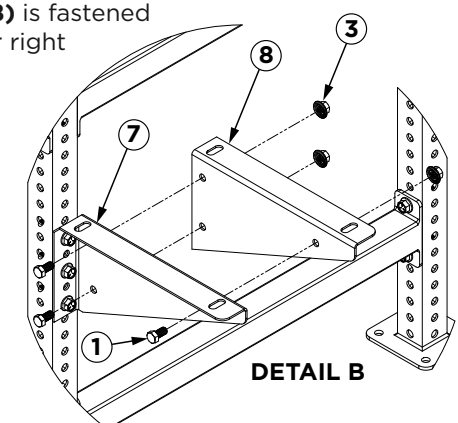
1 Installing shelf brackets:

1. Fasten left hand bracket (6) to the far most left post using 2-1/2" bolts (2) and lock nuts (3).
2. Fasten all right hand brackets (7) to posts using 2-1/2" bolts (2) and lock nuts (3). Be sure all right hand brackets (7) are at the same height as left hand brackets (6).



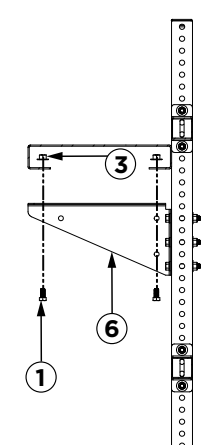
2 Installing tandem brackets:

- Fasten tandem brackets (8) to right hand brackets (7) using 3/4" bolts (1) and lock nuts (3). Tandem bracket (8) is fastened only to the interior right hand bracket (7).



3 Installing standard and tandem shelves:

1. Fasten FlowCell shelf (4) to left hand bracket (6) and right hand bracket (7) using 3/4" bolts (1) and lock nuts (3).
2. Fasten FlowCell tandem shelf (5) to right hand bracket (7) and tandem bracket (8) using 3/4" bolts (1) and lock nuts (3).
3. Repeat step 2. for the remaining FlowCell tandem shelves (5).



SECTION C-C
SCALE 1 : 5