

2-1/2" X 3-1/2"H STEP BEAMS

REV	BY	DATE	DESCRIPTION
-	-	-	-

THIS DRAWING IS THE PROPERTY OF UNEX MANUFACTURING, INC. AND IS TO BE RETURNED IMMEDIATELY UPON DEMAND. THE INFORMATION, DESIGNS, ETC., SHOWN HEREON ARE CONFIDENTIAL AND ARE NOT TO BE COPIED, DIVULGED OR SUBMITTED TO OTHERS.

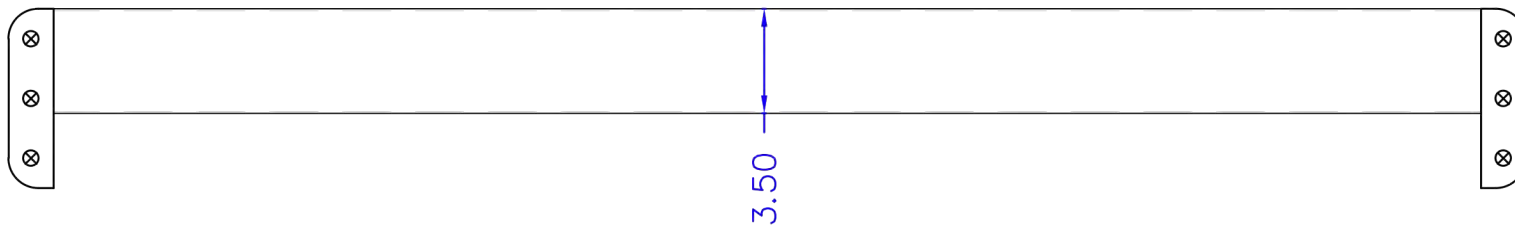
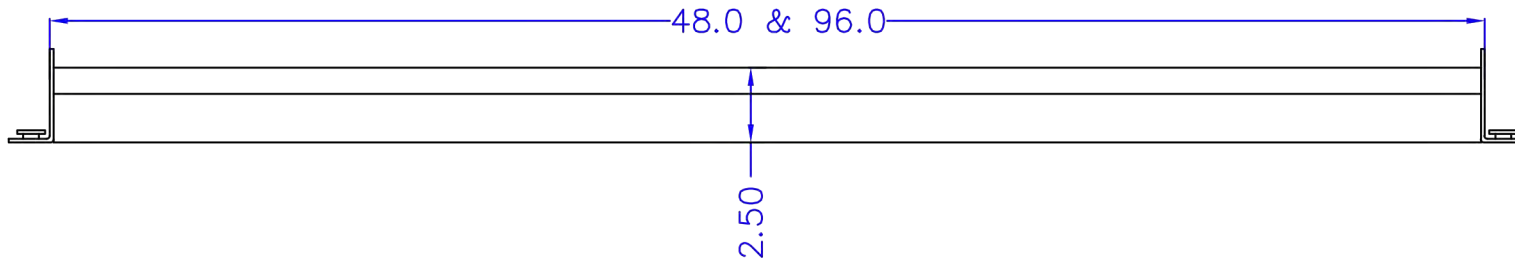


UNEX MANUFACTURING, INC.
691 NEW HAMPSHIRE AVE
LAKEWOOD, NJ 08701

UNEX - Roller Rack
Tracks on 6ft Deep Upright

Scale: NTS
By: DMS
Date: 9-20-17

Dwg. Number: **RR-0025**
Rev. Number:
Rev. Date:



MATERIAL:
14 GAUGE STEEL


FINISH: POWDER COATED

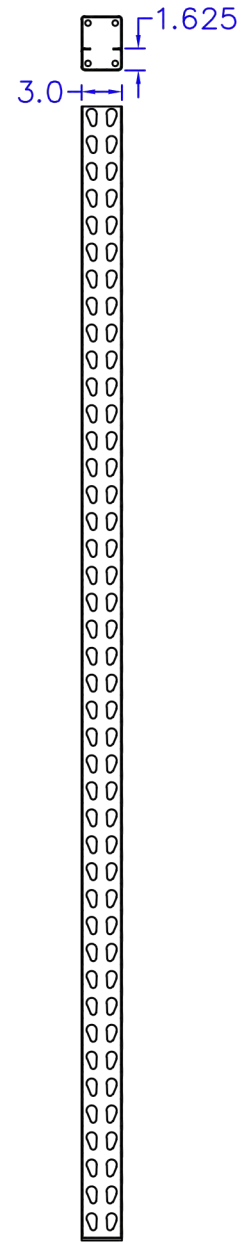
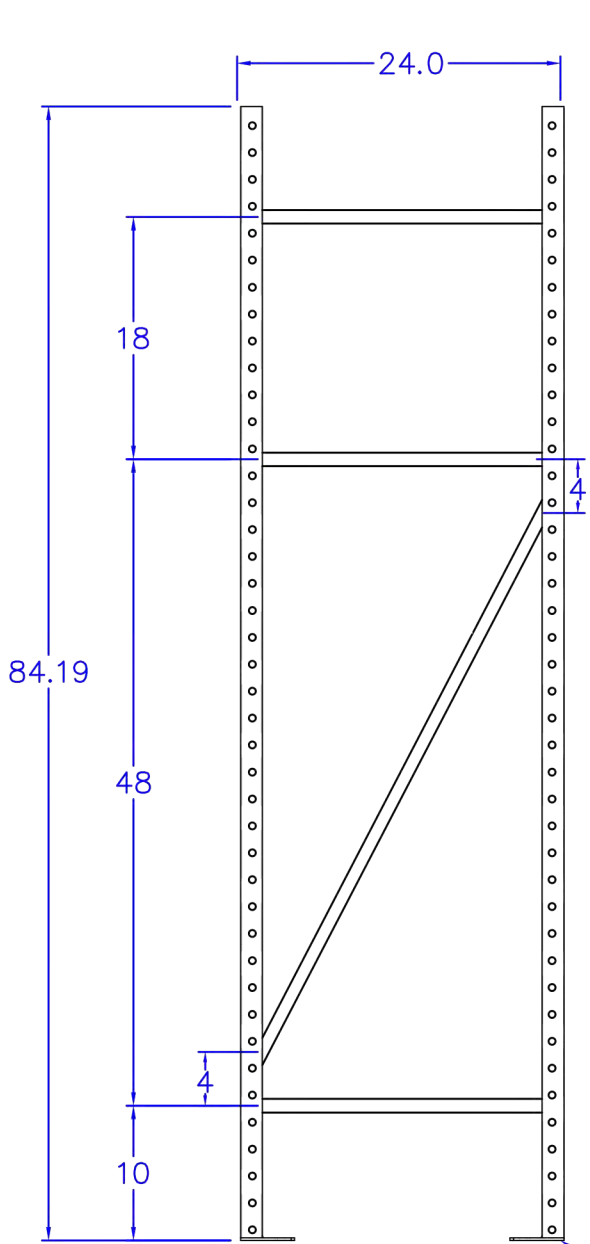
STANDARD IN STOCK COLOR:
OCEAN BLUE (#9910-5054)

NOTE: ALL WELDS MUST BE SPLATTER FREE.

REV	BY	DATE	DESCRIPTION
-	--	----	-----

THIS DRAWING IS THE PROPERTY OF UNEX MANUFACTURING, INC. AND IS TO BE RETURNED IMMEDIATELY UPON DEMAND. THE INFORMATION, DESIGNS, ETC., SHOWN HEREON ARE CONFIDENTIAL AND ARE NOT TO BE COPIED, DIVULGED OR SUBMITTED TO OTHERS.

	UNEX MANUFACTURING, INC. 691 NEW HAMPSHIRE AVE LAKEWOOD, NJ 08701	
	UNEX - Roller Rack RR Step Beam (RRB3548 & RRB3596)	
Scale: NTS	Dwg. Number:	RR-0021
By: DMS	Rev. Number:	
Date: 9-20-17	Rev. Date:	



FOOTPLATES FLUSH WITH FRONT OF POSTS

MATERIAL:
14 GAUGE STEEL


FINISH: POWDER COATED

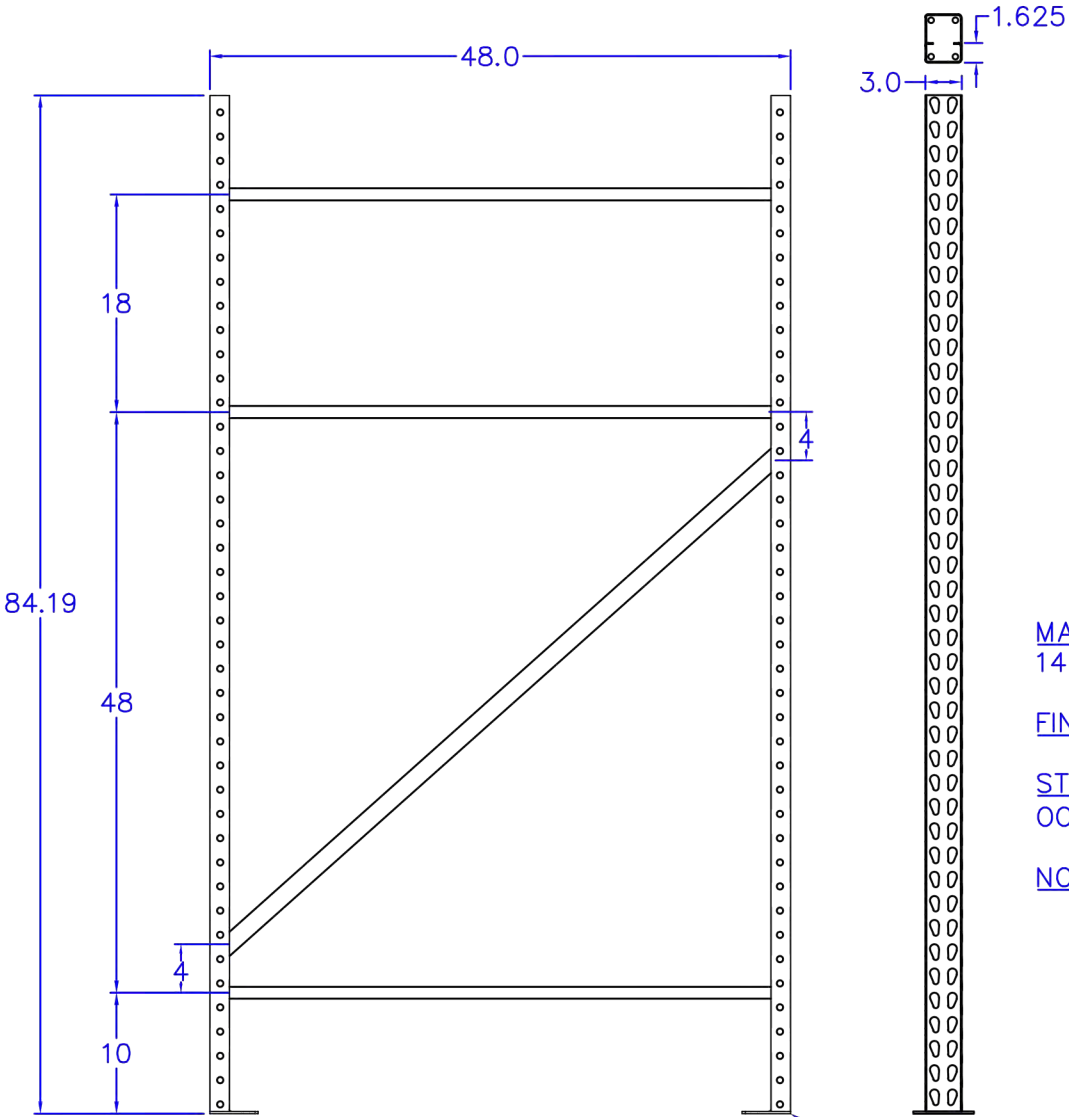
STANDARD IN STOCK COLOR:
OCEAN BLUE (#9910-5054)

NOTE: ALL WELDS MUST BE SPLATTER FREE.

THIS DRAWING IS THE PROPERTY OF UNEX MANUFACTURING, INC. AND IS TO BE RETURNED IMMEDIATELY UPON DEMAND. THE INFORMATION, DESIGNS, ETC., SHOWN HEREON ARE CONFIDENTIAL AND ARE NOT TO BE COPIED, DIVULGED OR SUBMITTED TO OTHERS.

REV	BY	DATE	DESCRIPTION
---	---	----	-----

	UNEX MANUFACTURING, INC. 691 NEW HAMPSHIRE AVE LAKEWOOD, NJ 08701	
	UNEX - Roller Rack RR 2ft Deep Upright (RRU8424)	
Scale: NTS	Dwg. Number:	RR-0022
By: DMS	Rev. Number:	
Date: 9-20-17	Rev. Date:	



MATERIAL:
14 GAUGE STEEL

FINISH: POWDER COATED


STANDARD IN STOCK COLOR:
OCEAN BLUE (#9910-5054)

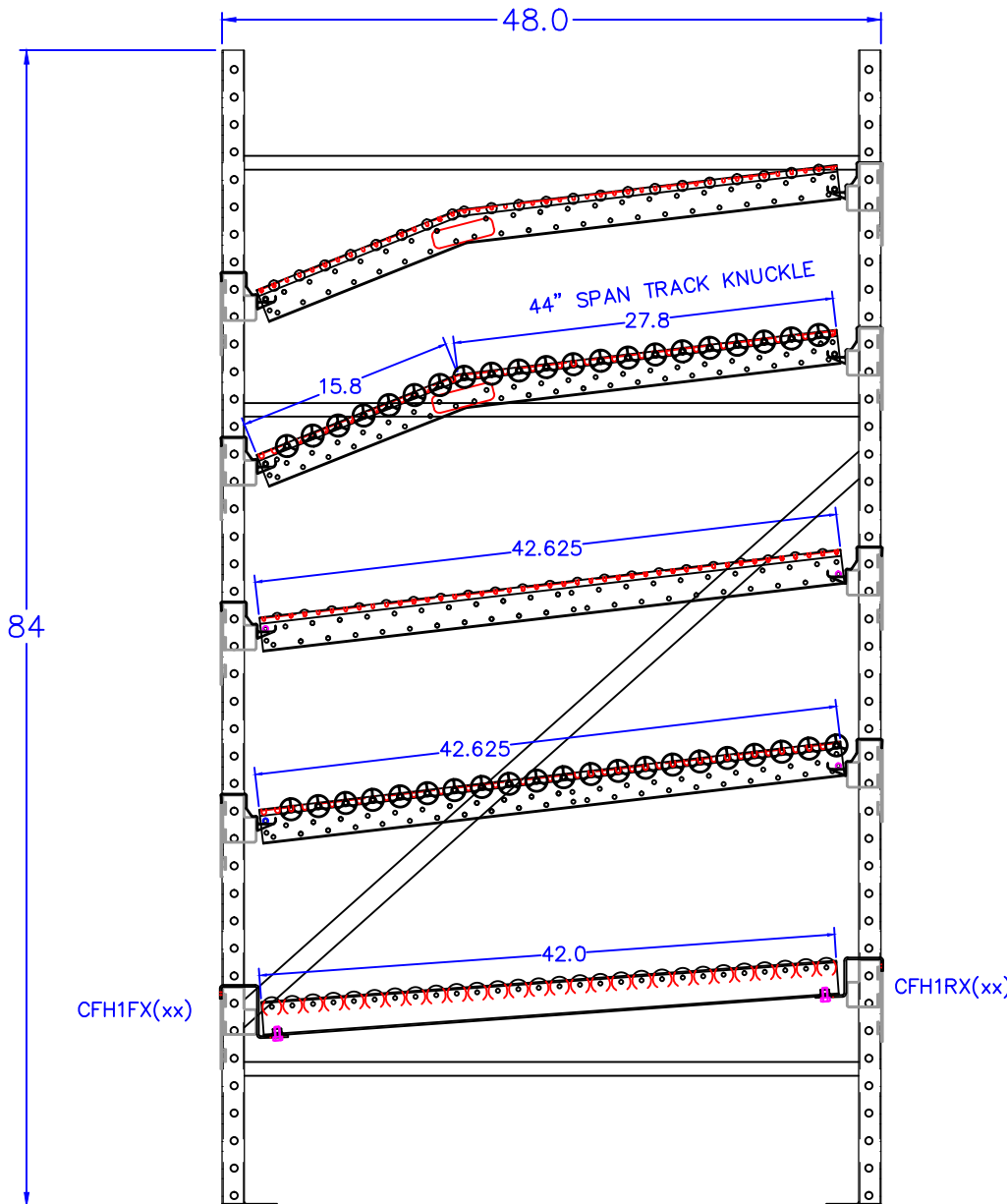
NOTE: ALL WELDS MUST BE SPLATTER FREE.

FOOTPLATES FLUSH WITH FRONT OF POSTS

REV	BY	DATE	DESCRIPTION
-	--	----	-----

THIS DRAWING IS THE PROPERTY OF UNEX MANUFACTURING, INC. AND IS TO BE RETURNED IMMEDIATELY UPON DEMAND. THE INFORMATION, DESIGNS, ETC., SHOWN HEREON ARE CONFIDENTIAL AND ARE NOT TO BE COPIED, DIVULGED OR SUBMITTED TO OTHERS.

	UNEX MANUFACTURING, INC. 691 NEW HAMPSHIRE AVE LAKEWOOD, NJ 08701	
	UNEX - Roller Rack RR 4ft Deep Upright (RRU8448)	
Scale: NTS	Dwg. Number:	RR-0023
By: DMS	Rev. Number:	
Date: 9-20-17	Rev. Date:	




2-1/2" X 3-1/2"H STEP BEAMS

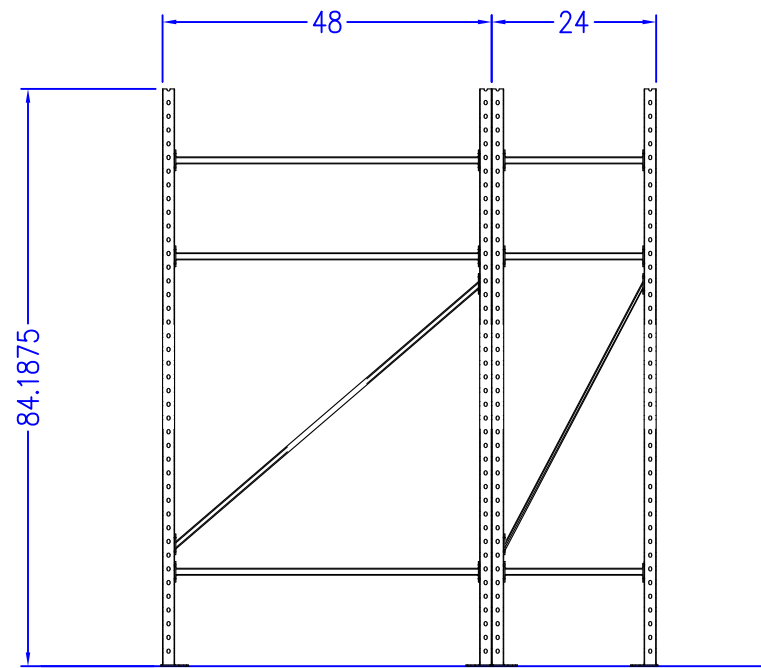
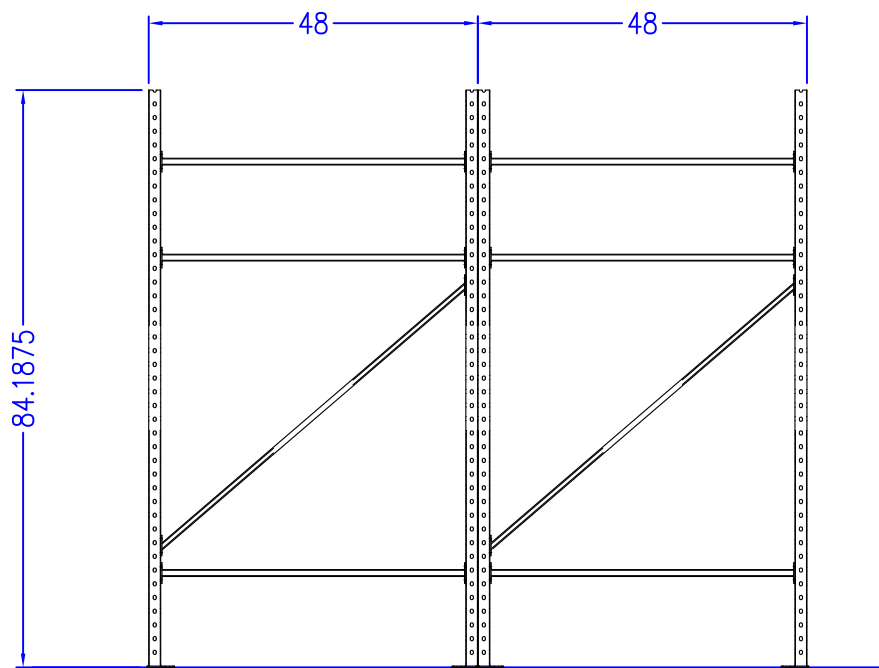
CFH1FX(xx)

CFH1RX(xx)

REV	BY	DATE	DESCRIPTION
-	-	----	-----

THIS DRAWING IS THE PROPERTY OF UNEX MANUFACTURING, INC. AND IS TO BE RETURNED IMMEDIATELY UPON DEMAND. THE INFORMATION, DESIGNS, ETC., SHOWN HEREON ARE CONFIDENTIAL AND ARE NOT TO BE COPIED, DIVULGED OR SUBMITTED TO OTHERS.

	UNEX MANUFACTURING, INC. 691 NEW HAMPSHIRE AVE LAKEWOOD, NJ 08701	
	UNEX - Roller Rack Tracks on 4ft Deep Upright	
Scale: NTS	Dwg. Number:	RR-0024
By: DMS	Rev. Number:	Rev. Date:
Date: 9-20-17		



NOTE: BEAMS ARE 2.5" DEEP X 3.5" HIGH STEP.

THIS DRAWING IS THE PROPERTY OF UNEX MANUFACTURING, INC. AND IS TO BE RETURNED IMMEDIATELY UPON DEMAND. THE INFORMATION, DESIGNS, ETC., SHOWN HEREON ARE CONFIDENTIAL AND ARE NOT TO BE COPIED, DIVULGED OR SUBMITTED TO OTHERS.



UNEX MANUFACTURING, INC.
691 NEW HAMPSHIRE AVE
LAKEWOOD, NJ 08701

UNEX
NEW ROLLER RACK
ARRANGEMENT

Scale: NTS

By: MF

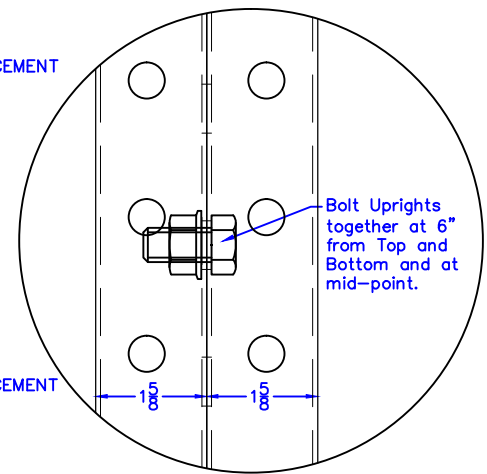
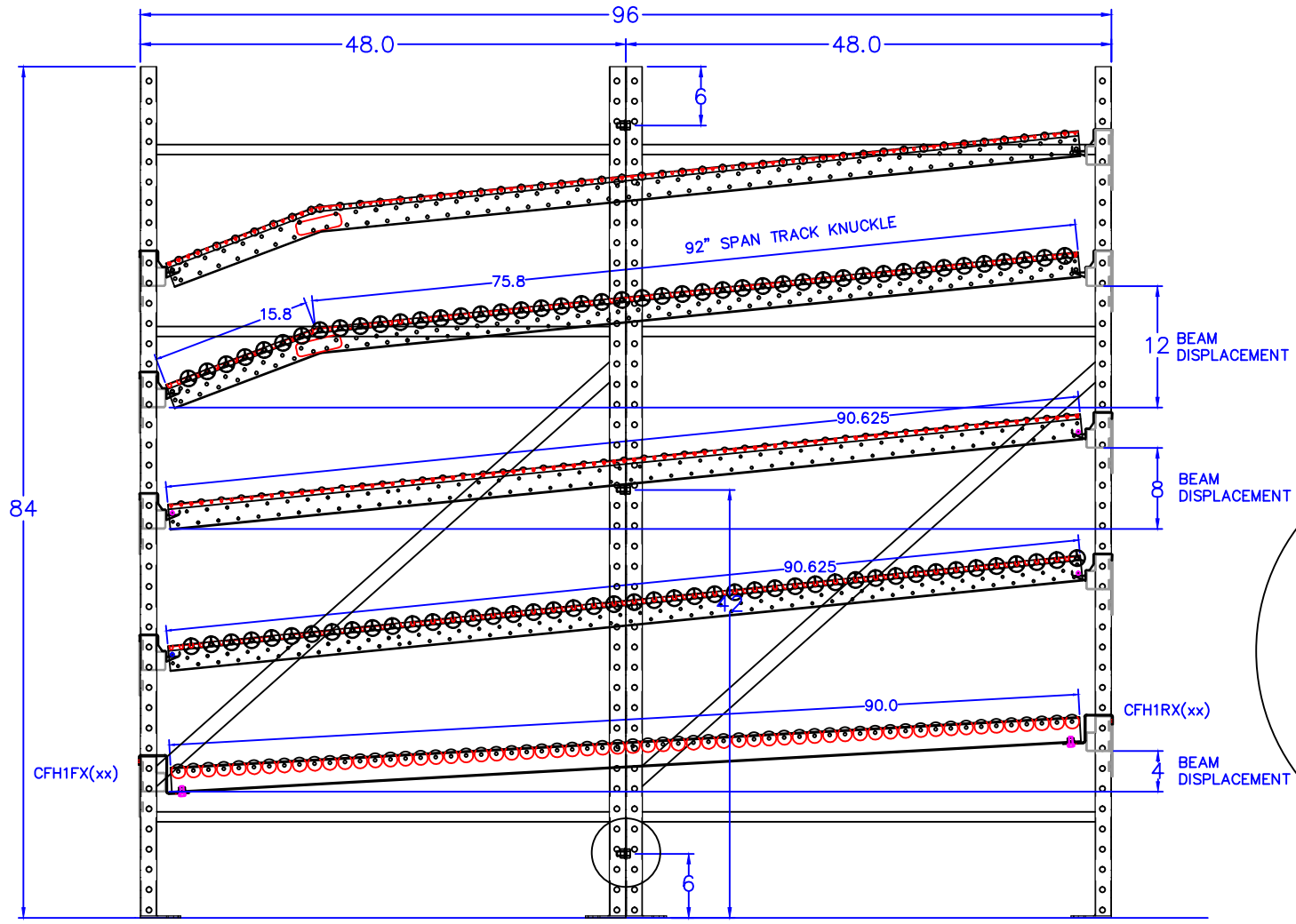
Date: 8-11-17

Dwg. Number:

RR-1052

Rev. Number:


Rev. Date:



2-1/2" X 3-1/2"H STEP BEAMS

REV	BY	DATE	DESCRIPTION

THIS DRAWING IS THE PROPERTY OF UNEX MANUFACTURING, INC. AND IS TO BE RETURNED IMMEDIATELY UPON DEMAND. THE INFORMATION, DESIGNS, ETC., SHOWN HEREON ARE CONFIDENTIAL AND ARE NOT TO BE COPIED, DIVULGED OR SUBMITTED TO OTHERS.

	UNEX MANUFACTURING, INC. 691 NEW HAMPSHIRE AVE LAKEWOOD, NJ 08701	
	UNEX - Roller Rack Tracks on 8ft Deep Upright	
Scale: NTS	Dwg. Number:	RR-0026
By: DMS	Date: 9-20-17	Rev. Number: Rev. Date: