



gravity//conveyor



Engineered Space Optimization



gravity//conveyor

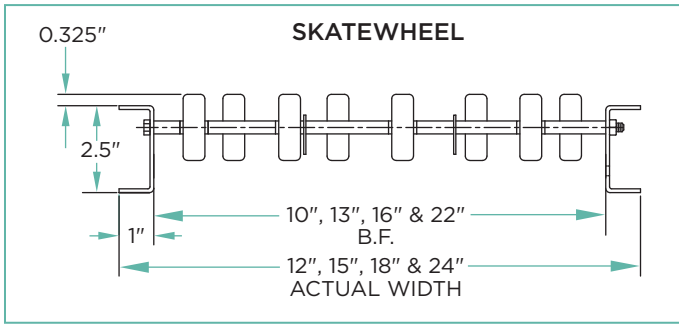
Contents

| | |
|--|----|
| Skatewheel Conveyor (SW) | 2 |
| 1.38" Diameter Roller Conveyor (JRS) | 4 |
| 1.9" Diameter Roller Conveyor (MRS) | 6 |
| Spurs | 8 |
| Gates | 9 |
| Supports | 10 |
| Accessories | 11 |
| Ball Transfer Tables | 12 |



Skatewheel Gravity Conveyor is ideally suited to convey lightweight packages and where operations require portable or temporary conveyor lines such as warehousing or shipping areas.

- 4 Widths
- Axles on 3" Centers
- Steel or Aluminum Frames & Wheels
- Wheels Set High (for wheels set low, add angle guard rail)



Straight Sections

Specifications

Width: 12", 15", 18", and 24" OAW

Frame: 2-1/2" deep x 1" flange x 12 ga. galvanized steel or 0.112" extruded aluminum channel with bolt in cross braces

Couplings: Hooks one end, studs on opposite end.

NOTE: Steel conveyor available without couplings for permanent installations - Add "SE" suffix to conveyor part number for square cut side channels.

Lengths: 10 ft. and 5 ft. straight sections. Special lengths available.

Wheels: 1-15/16" dia. with ball bearings in hardened raceway. Zinc plated steel or corrosion resistant aluminum.

Axles: 1/4" dia. steel, threaded one end with locknut, spaced on 3" centers. Spacers are zinc plated steel.

Capacity: See Load Capacity Chart.

MODEL NUMBER EXAMPLE - SKATEWHEEL STRAIGHT

| | | | | | |
|------------------------|-----------------|--|---------------------------------------|-----------------|-----------------|
| 12 | SW | G or A | S or A | 10 | x10 |
| OVERALL CONVEYOR WIDTH | CONVEYOR SERIES | G = GALVANIZED STEEL FRAME A = ALUMINUM FRAME | S = STEEL WHEEL A = ALUMINUM WHEEL | WHEELS PER FOOT | CONVEYOR LENGTH |

LOAD CAPACITY CHART - SKATEWHEEL

| FRAME MATERIAL | SUPPORT CENTERS | FRAME CAPACITY* | WHEEL CAPACITY |
|----------------|-----------------|-----------------|----------------|
| STEEL | 10 FT | 600 LBS | 50 LBS |
| | 5 FT | 2100 LBS | |
| ALUMINUM | 10 FT | 300 LBS | 25 LBS |
| | 5 FT | 1400 LBS | |

*MAXIMUM UNIFORMLY DISTRIBUTED LOAD OVER 10 FT.

STEEL FRAME/STEEL WHEEL

| 12" OVERALL WIDTH | | | | 15" OVERALL WIDTH | | | | 18" OVERALL WIDTH | | | | 24" OVERALL WIDTH | | | |
|-------------------|---------------|--------------------|-------------------|-------------------|---------------|--------------------|-------------------|-------------------|---------------|--------------------|-------------------|-------------------|---------------|--------------------|-------------------|
| MODEL # | WHEELS PER FT | WEIGHT (LBS) 10 FT | WEIGHT (LBS) 5 FT | MODEL # | WHEELS PER FT | WEIGHT (LBS) 10 FT | WEIGHT (LBS) 5 FT | MODEL # | WHEELS PER FT | WEIGHT (LBS) 10 FT | WEIGHT (LBS) 5 FT | MODEL # | WHEELS PER FT | WEIGHT (LBS) 10 FT | WEIGHT (LBS) 5 FT |
| 12SWGS10 | 10 | 59 | 30 | 15SWGS10 | 10 | 66 | 33 | 18SWGS14 | 14 | 76 | 38 | 24SWGS16 | 16 | 91 | 46 |
| 12SWGS12 | 12 | 62 | 31 | 15SWGS12 | 12 | 69 | 35 | 18SWGS16 | 16 | 81 | 40 | 24SWGS20 | 20 | 95 | 48 |
| 12SWGS16 | 16 | 68 | 34 | 15SWGS16 | 16 | 75 | 38 | 18SWGS18 | 18 | 85 | 41 | 24SWGS24 | 24 | 101 | 50 |

ALUMINUM FRAME/STEEL WHEEL

| 12" OVERALL WIDTH | | | | 15" OVERALL WIDTH | | | | 18" OVERALL WIDTH | | | | 24" OVERALL WIDTH | | | |
|-------------------|---------------|--------------------|-------------------|-------------------|---------------|--------------------|-------------------|-------------------|---------------|--------------------|-------------------|-------------------|---------------|--------------------|-------------------|
| MODEL # | WHEELS PER FT | WEIGHT (LBS) 10 FT | WEIGHT (LBS) 5 FT | MODEL # | WHEELS PER FT | WEIGHT (LBS) 10 FT | WEIGHT (LBS) 5 FT | MODEL # | WHEELS PER FT | WEIGHT (LBS) 10 FT | WEIGHT (LBS) 5 FT | MODEL # | WHEELS PER FT | WEIGHT (LBS) 10 FT | WEIGHT (LBS) 5 FT |
| 12SWAS10 | 10 | 43 | 22 | 15SWAS10 | 10 | 50 | 25 | 18SWAS14 | 14 | 59 | 30 | 24SWAS16 | 16 | 74 | 37 |
| 12SWAS12 | 12 | 46 | 23 | 15SWAS12 | 12 | 52 | 26 | 18SWAS16 | 16 | 64 | 32 | 24SWAS20 | 20 | 78 | 39 |
| 12SWAS16 | 16 | 52 | 26 | 15SWAS16 | 16 | 58 | 29 | 18SWAS18 | 18 | 68 | 33 | 24SWAS24 | 24 | 84 | 42 |

ALUMINUM FRAME/ALUMINUM WHEEL

| 12" OVERALL WIDTH | | | | 15" OVERALL WIDTH | | | | 18" OVERALL WIDTH | | | | 24" OVERALL WIDTH | | | |
|-------------------|---------------|--------------------|-------------------|-------------------|---------------|--------------------|-------------------|-------------------|---------------|--------------------|-------------------|-------------------|---------------|--------------------|-------------------|
| MODEL # | WHEELS PER FT | WEIGHT (LBS) 10 FT | WEIGHT (LBS) 5 FT | MODEL # | WHEELS PER FT | WEIGHT (LBS) 10 FT | WEIGHT (LBS) 5 FT | MODEL # | WHEELS PER FT | WEIGHT (LBS) 10 FT | WEIGHT (LBS) 5 FT | MODEL # | WHEELS PER FT | WEIGHT (LBS) 10 FT | WEIGHT (LBS) 5 FT |
| 12SWAA10 | 10 | 38 | 19 | 15SWAA10 | 10 | 45 | 23 | 18SWAA14 | 14 | 53 | 27 | 24SWAA16 | 16 | 66 | 34 |
| 12SWAA12 | 12 | 40 | 20 | 15SWAA12 | 12 | 47 | 24 | 18SWAA16 | 16 | 57 | 29 | 24SWAA20 | 20 | 69 | 35 |
| 12SWAA16 | 16 | 44 | 22 | 15SWAA16 | 16 | 51 | 26 | 18SWAA18 | 18 | 61 | 31 | 24SWAA24 | 24 | 73 | 37 |



Skatewheel Curves are compatible with straight sections, allowing flexibility on conveyor lines. They maintain package orientation due to the differential action of the individual wheels.

- 4 Widths
- Steel or Aluminum Frames & Wheels
- Gravity Hooks & Studs Both Ends
- 45° and 90° Curves
- 36" Inside Radius

| OUTSIDE RADIUS | |
|----------------|----------------|
| Overall Width | Outside Radius |
| 12" | 48" |
| 15" | 51" |
| 18" | 54" |
| 24" | 60" |

Curved Sections

Specifications

Width: 12", 15", 18", and 24" OAW

Frame: 2-1/2" deep x 1" flange x 12 ga. galvanized steel or 0.112" extruded aluminum channel with bolt in cross braces.

Couplings: Hooks and studs on both ends of curve.

Axes: 1/4" dia. steel, threaded one end with locknut, spaced on 3" centers. Spacers are zinc plated steel.

Capacity: Same per foot capacity as straight sections.

| MODEL NUMBER EXAMPLE - SKATEWHEEL CURVED | | | | | | |
|--|---------------|-----------------|--|---------------------------------------|-----------------|-----------------|
| 12 | 36 | SW | G or A | S or A | 12 | 90 |
| OVERALL CONVEYOR WIDTH | INSIDE RADIUS | CONVEYOR SERIES | G = GALVANIZED STEEL FRAME A = ALUMINUM FRAME | S = STEEL WHEEL A = ALUMINUM WHEEL | WHEELS PER FOOT | DEGREE OF CURVE |

| STEEL FRAME/STEEL WHEEL | | | | | | | |
|-------------------------|--------|---------------|--------------|-------------------|--------|---------------|--------------|
| 12" OVERALL WIDTH | | | | 15" OVERALL WIDTH | | | |
| MODEL # | DEGREE | WHEELS PER FT | WEIGHT (LBS) | MODEL # | DEGREE | WHEELS PER FT | WEIGHT (LBS) |
| 1236SWGS1290 | 90 | 12 | 44 | 1536SWGS1290 | 90 | 12 | 46 |
| 1236SWGS1245 | 45 | 12 | 24 | 1536SWGS1245 | 45 | 12 | 25 |
| 18" OVERALL WIDTH | | | | 24" OVERALL WIDTH | | | |
| MODEL # | DEGREE | WHEELS PER FT | WEIGHT (LBS) | MODEL # | DEGREE | WHEELS PER FT | WEIGHT (LBS) |
| 1836SWGS1890 | 90 | 18 | 56 | 2436SWGS2490 | 90 | 24 | 70 |
| 1836SWGS1845 | 45 | 18 | 29 | 2436SWGS2445 | 45 | 24 | 36 |

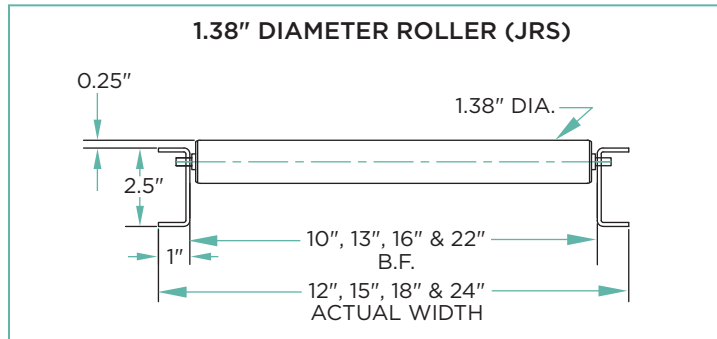
| ALUMINUM FRAME/STEEL WHEEL | | | | | | | |
|----------------------------|--------|---------------|--------------|-------------------|--------|---------------|--------------|
| 12" OVERALL WIDTH | | | | 15" OVERALL WIDTH | | | |
| MODEL # | DEGREE | WHEELS PER FT | WEIGHT (LBS) | MODEL # | DEGREE | WHEELS PER FT | WEIGHT (LBS) |
| 1236SWAS1290 | 90 | 12 | 33 | 1536SWAS1290 | 90 | 12 | 36 |
| 1236SWAS1245 | 45 | 12 | 18 | 1536SWAS1245 | 45 | 12 | 19 |
| 18" OVERALL WIDTH | | | | 24" OVERALL WIDTH | | | |
| MODEL # | DEGREE | WHEELS PER FT | WEIGHT (LBS) | MODEL # | DEGREE | WHEELS PER FT | WEIGHT (LBS) |
| 1836SWAS1890 | 90 | 18 | 45 | 2436SWAS2490 | 90 | 24 | 58 |
| 1836SWAS1845 | 45 | 18 | 24 | 2436SWAS2445 | 45 | 24 | 31 |

| ALUMINUM FRAME/ALUMINUM WHEEL | | | | | | | |
|-------------------------------|--------|---------------|--------------|-------------------|--------|---------------|--------------|
| 12" OVERALL WIDTH | | | | 15" OVERALL WIDTH | | | |
| MODEL # | DEGREE | WHEELS PER FT | WEIGHT (LBS) | MODEL # | DEGREE | WHEELS PER FT | WEIGHT (LBS) |
| 1236SWAA1290 | 90 | 12 | 27 | 1536SWAA1290 | 90 | 12 | 29 |
| 1236SWAA1245 | 45 | 12 | 16 | 1536SWAA1245 | 45 | 12 | 17 |
| 18" OVERALL WIDTH | | | | 24" OVERALL WIDTH | | | |
| MODEL # | DEGREE | WHEELS PER FT | WEIGHT (LBS) | MODEL # | DEGREE | WHEELS PER FT | WEIGHT (LBS) |
| 1836SWAA1890 | 90 | 18 | 37 | 2436SWAA2490 | 90 | 24 | 48 |
| 1836SWAA1845 | 45 | 18 | 19 | 2436SWAA2445 | 45 | 24 | 26 |



UNEX **1.38" Diameter Roller Gravity Conveyor** is ideally suited to convey light weight packages and where operations require portable or temporary conveyor lines such as warehousing or shipping areas.

- 4 Widths
- 4 Roller Centers
- Steel or Aluminum Frames & Rollers
- Rollers Set High (for rollers set low, add angle guard rail)



Straight Sections

Specifications

Width: 12", 15", 18", and 24" OAW

Frame: 2-1/2" deep x 1" flange x 12 ga. galvanized steel or 0.112" extruded aluminum channel with bolt in cross braces

Couplings: Hooks one end, studs on opposite end.

NOTE: Steel conveyor available without couplings for permanent installations - Add "SE" suffix to conveyor part number for square cut side channels.

Lengths: 10 ft. and 5 ft. straight sections. Special lengths available.

Rollers: 1-3/8" dia. x 18 ga. galvanized steel or .058" heat treated aluminum tubing. Oiled ball bearings both ends.

Axes: 1/4" dia. steel, spring loaded for easy installation or removal, spaced on 1-1/2", 3", 4-1/2", or 6" centers.

Capacity: See Load Capacity Chart.

MODEL NUMBER EXAMPLE - 1.38" DIAMETER ROLLER STRAIGHT

| | | | | | |
|------------------------|-----------------|--|--|----------------|-----------------|
| 12 | JRS | G or A | S or A | 1.5 | x10 |
| OVERALL CONVEYOR WIDTH | CONVEYOR SERIES | G = GALVANIZED STEEL FRAME A = ALUMINUM FRAME | S = GALVANIZED STEEL ROLLER A = ALUMINUM ROLLER | ROLLER CENTERS | CONVEYOR LENGTH |

LOAD CAPACITY CHART - 1.38" DIAMETER ROLLER

| FRAME MATERIAL | SUPPORT CENTERS | FRAME CAPACITY* | ROLLER CAPACITY |
|----------------|-----------------|-----------------|-----------------|
| STEEL | 10 FT | 550 LBS | 45 LBS |
| | 5 FT | 2100 LBS | |
| ALUMINUM | 10 FT | 275 LBS | 30 LBS |
| | 5 FT | 1200 LBS | |

*MAXIMUM UNIFORMLY DISTRIBUTED LOAD OVER 10 FT.

| STEEL FRAME/STEEL ROLLER | | | | | | | | | | | | | | | |
|--------------------------|----------------|--------------|------|-------------------|----------------|--------------|------|-------------------|----------------|--------------|------|-------------------|----------------|--------------|------|
| 12" OVERALL WIDTH | | | | 15" OVERALL WIDTH | | | | 18" OVERALL WIDTH | | | | 24" OVERALL WIDTH | | | |
| MODEL # | ROLLER CENTERS | WEIGHT (LBS) | | MODEL # | ROLLER CENTERS | WEIGHT (LBS) | | MODEL # | ROLLER CENTERS | WEIGHT (LBS) | | MODEL # | ROLLER CENTERS | WEIGHT (LBS) | |
| | | 10 FT | 5 FT | | | 10 FT | 5 FT | | | 10 FT | 5 FT | | | 10 FT | 5 FT |
| 12JRSGS1.5 | 1-1/2" | 100 | 50 | 15JRSGS1.5 | 1-1/2" | 119 | 60 | 18JRSGS1.5 | 1-1/2" | 137 | 69 | 24JRSGS1.5 | 1-1/2" | 173 | 87 |
| 12JRSGS30 | 3" | 66 | 33 | 15JRSGS30 | 3" | 76 | 38 | 18JRSGS30 | 3" | 85 | 43 | 24JRSGS30 | 3" | 104 | 53 |
| 12JRSGS4.5 | 4-1/2" | 55 | 27 | 15JRSGS4.5 | 4-1/2" | 62 | 31 | 18JRSGS4.5 | 4-1/2" | 68 | 34 | 24JRSGS4.5 | 4-1/2" | 82 | 41 |
| 12JRSGS60 | 6" | 49 | 25 | 15JRSGS60 | 6" | 55 | 28 | 18JRSGS60 | 6" | 65 | 32 | 24JRSGS60 | 6" | 77 | 40 |

| ALUMINUM FRAME/ALUMINUM ROLLER | | | | | | | | | | | | | | | |
|--------------------------------|----------------|--------------|------|-------------------|----------------|--------------|------|-------------------|----------------|--------------|------|-------------------|----------------|--------------|------|
| 12" OVERALL WIDTH | | | | 15" OVERALL WIDTH | | | | 18" OVERALL WIDTH | | | | 24" OVERALL WIDTH | | | |
| MODEL # | ROLLER CENTERS | WEIGHT (LBS) | | MODEL # | ROLLER CENTERS | WEIGHT (LBS) | | MODEL # | ROLLER CENTERS | WEIGHT (LBS) | | MODEL # | ROLLER CENTERS | WEIGHT (LBS) | |
| | | 10 FT | 5 FT | | | 10 FT | 5 FT | | | 10 FT | 5 FT | | | 10 FT | 5 FT |
| 12JRSA1.5 | 1-1/2" | 55 | 28 | 15JRSA1.5 | 1-1/2" | 65 | 33 | 18JRSA1.5 | 1-1/2" | 74 | 38 | 24JRSA1.5 | 1-1/2" | 92 | 47 |
| 12JRSA30 | 3" | 35 | 18 | 15JRSA30 | 3" | 40 | 21 | 18JRSA30 | 3" | 45 | 23 | 24JRSA30 | 3" | 55 | 29 |
| 12JRSA4.5 | 4-1/2" | 29 | 15 | 15JRSA4.5 | 4-1/2" | 33 | 17 | 18JRSA4.5 | 4-1/2" | 36 | 18 | 24JRSA4.5 | 4-1/2" | 43 | 22 |
| 12JRSA60 | 6" | 27 | 14 | 15JRSA60 | 6" | 29 | 16 | 18JRSA60 | 6" | 33 | 18 | 24JRSA60 | 6" | 41 | 20 |



1.38" Diameter Roller (JRS) Curves are compatible with straight sections, allowing flexibility on conveyor lines. Optional guard rail may be added for product protection.

- 4 Widths
- Steel or Aluminum Frames & Rollers
- Gravity Hooks & Studs Both Ends
- 45° and 90° Curves
- 36" Inside Radius

Curved Sections

Specifications

Width: 12", 15", 18", and 24" OAW

Frame: 2-1/2" deep x 1" flange x 12 ga. galvanized steel or 0.112" extruded aluminum channel with bolt in cross braces.

Couplings: Hooks and studs on both ends of curve.

Rollers: 1-3/8" dia. x 18 ga. galvanized steel or .058" heat treated aluminum tubing. Oiled ball bearings both ends.

Axles: 1/4" dia. steel spring loaded for easy installation or removal, spaced on 1-1/2" or 3" equivalent centers.

Capacity: Same per foot capacity as straight sections.

| OUTSIDE RADIUS | |
|----------------|----------------|
| Overall Width | Outside Radius |
| 12" | 48" |
| 15" | 51" |
| 18" | 54" |
| 24" | 60" |

| MODEL NUMBER EXAMPLE - 1.38" DIAMETER ROLLER CURVED | | | | | | |
|---|---------------|-----------------|--|---|----------------|-----------------|
| 12 | 36 | JRS | G or A | S or A | 1.5 | 90 |
| OVERALL CONVEYOR WIDTH | INSIDE RADIUS | CONVEYOR SERIES | G = GALVANIZED STEEL FRAME A = ALUMINUM FRAME | S = STEEL ROLLER A = ALUMINUM ROLLER | ROLLER CENTERS | DEGREE OF CURVE |

| STEEL FRAME/STEEL ROLLER | | | | | | | |
|--------------------------|--------|----------------|--------------|-------------------|--------|----------------|--------------|
| 12" OVERALL WIDTH | | | | 15" OVERALL WIDTH | | | |
| MODEL # | DEGREE | ROLLER CENTERS | WEIGHT (LBS) | MODEL # | DEGREE | ROLLER CENTERS | WEIGHT (LBS) |
| 1236JRSGS1.590 | 90 | 1-1/2" | 67 | 1536JRSGS1.590 | 90 | 1-1/2" | 81 |
| 1236JRSGS2.12590 | 90 | 3" | 45 | 1536JRSGS2.12590 | 90 | 3" | 53 |
| 1236JRSGS1.545 | 45 | 1-1/2" | 34 | 1536JRSGS1.545 | 45 | 1-1/2" | 41 |
| 1236JRSGS1.12545 | 45 | 3" | 24 | 1536JRSGS2.12545 | 45 | 3" | 28 |
| 18" OVERALL WIDTH | | | | 24" OVERALL WIDTH | | | |
| MODEL # | DEGREE | ROLLER CENTERS | WEIGHT (LBS) | MODEL # | DEGREE | ROLLER CENTERS | WEIGHT (LBS) |
| 1836JRSGS1.590 | 90 | 1-1/2" | 93 | 2436JRSGS1.590 | 90 | 1-1/2" | 120 |
| 1836JRSGS2.12590 | 90 | 3" | 60 | 2436JRSGS2.12590 | 90 | 3" | 75 |
| 1836JRSGS1.545 | 45 | 1-1/2" | 51 | 2436JRSGS1.545 | 45 | 1-1/2" | 60 |
| 1836JRSGS2.12545 | 45 | 3" | 36 | 2436JRSGS2.12545 | 45 | 3" | 39 |

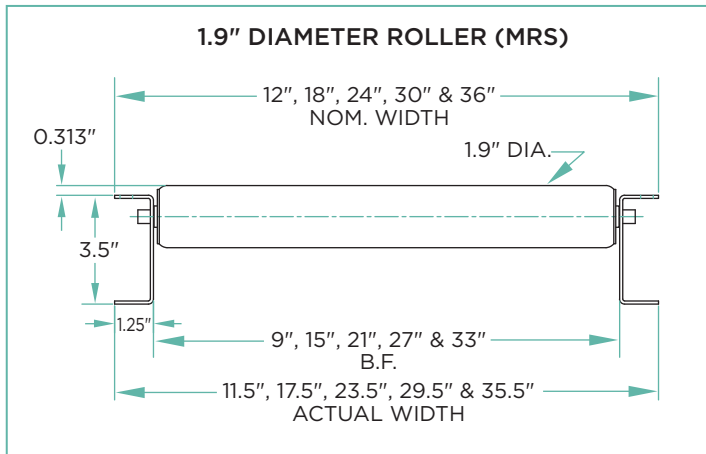
| ALUMINUM FRAME/ALUMINUM ROLLER | | | | | | | |
|--------------------------------|--------|----------------|--------------|-------------------|--------|----------------|--------------|
| 12" OVERALL WIDTH | | | | 15" OVERALL WIDTH | | | |
| MODEL # | DEGREE | ROLLER CENTERS | WEIGHT (LBS) | MODEL # | DEGREE | ROLLER CENTERS | WEIGHT (LBS) |
| 1236JRSA1.590 | 90 | 1-1/2" | 41 | 1536JRSA1.590 | 90 | 1-1/2" | 48 |
| 1236JRSA2.12590 | 90 | 3" | 28 | 1536JRSA2.12590 | 90 | 3" | 32 |
| 1236JRSA1.545 | 45 | 1-1/2" | 21 | 1536JRSA1.545 | 45 | 1-1/2" | 24 |
| 1236JRSA2.12545 | 45 | 3" | 15 | 1536JRSA2.12545 | 45 | 3" | 17 |
| 18" OVERALL WIDTH | | | | 24" OVERALL WIDTH | | | |
| MODEL # | DEGREE | ROLLER CENTERS | WEIGHT (LBS) | MODEL # | DEGREE | ROLLER CENTERS | WEIGHT (LBS) |
| 1836JRSA1.590 | 90 | 1-1/2" | 54 | 2436JRSA1.590 | 90 | 1-1/2" | 66 |
| 1836JRSA2.12590 | 90 | 3" | 36 | 2436JRSA2.12590 | 90 | 3" | 43 |
| 1836JRSA1.545 | 45 | 1-1/2" | 27 | 2436JRSA1.545 | 45 | 1-1/2" | 34 |
| 1836JRSA2.12545 | 45 | 3" | 19 | 2436JRSA2.12545 | 45 | 3" | 23 |



1.9" Diameter Roller Gravity Conveyor

is used to convey medium weight packages in permanent installations.

- Rollers set high (for rollers set low, add angle guard rail)



| SUPPORT CENTERS | FRAME CAPACITY* | ROLLER CAPACITY MAXIMUM LOAD PER ROLLER |
|-----------------|-----------------|---|
| 10 FT | 1000 LBS | 170 LBS |
| 5 FT | 4000 LBS | |

*MAXIMUM UNIFORMLY DISTRIBUTED LOAD OVER 10 FT.

Straight Sections

Specifications

Width: 12", 18", 24", 30", and 36" nominal OAW. Actual OA Width is 1/2" less.

Frame: 3-1/2" deep x 1-1/4" flange x 12 ga. galvanized steel channel with bolt in cross braces

Couplings: Optional bolt-in butt couplers.

Lengths: 10 ft. and 5 ft. straight sections. Special lengths available.

Rollers: 1.9" dia. x 16 ga. galvanized steel tubing. Oiled ball bearings both ends.

Axes: 7/16" hex steel, spring loaded for easy installation or removal on 3", 4-1/2", or 6" centers.

Capacity: See Load Capacity Chart.

| | | | | |
|------------------------|-----------------|------------------------------------|----------------|-----------------|
| 12 | MRS | G | 4.5 | x10 |
| OVERALL CONVEYOR WIDTH | CONVEYOR SERIES | GALVANIZED STEEL FRAME AND ROLLERS | ROLLER CENTERS | CONVEYOR LENGTH |

| OVERALL WIDTH (NOMINAL)* | BETWEEN FRAME WIDTH | MODEL # | ROLLER CENTERS | WEIGHT (LBS) 10 FT | WEIGHT (LBS) 5 FT |
|--------------------------|---------------------|-----------|----------------|--------------------|-------------------|
| 12" | 9" | 12MRSG30 | 3" | 114 | 57 |
| | | 12MRSG4.5 | 4-1/2" | 92 | 46 |
| | | 12MRSG60 | 6" | 80 | 40 |
| 18" | 15" | 18MRSG30 | 3" | 155 | 78 |
| | | 18MRSG4.5 | 4-1/2" | 121 | 61 |
| | | 18MRSG60 | 6" | 102 | 51 |
| 24" | 21" | 24MRSG30 | 3" | 196 | 98 |
| | | 24MRSG4.5 | 4-1/2" | 150 | 75 |
| | | 24MRSG60 | 6" | 124 | 62 |
| 30" | 27" | 30MRSG30 | 3" | 237 | 119 |
| | | 30MRSG4.5 | 4-1/2" | 179 | 90 |
| | | 30MRSG60 | 6" | 146 | 73 |
| 36" | 33" | 36MRSG30 | 3" | 278 | 139 |
| | | 36MRSG4.5 | 4-1/2" | 208 | 104 |
| | | 36MRSG60 | 6" | 168 | 84 |

*NOTE: Actual width is 1/2" less than nominal.



1.9" Diameter Roller Gravity Conveyor (MRS) Curves are compatible with straight sections, allowing flexibility to conveyor lines. Optional guard rail may be added for product protection.

- 28-3/4" inside radius

Curved Sections

Specifications

Width: 12", 18", 24", 30", and 36" nominal OAW. OA width is 1/2" less.

Frame: 3-1/2" deep x 1-1/4" flange x 12 ga. galvanized steel channel with bolt in cross braces.

Couplings: Optional bolt-in butt couplers.

Curves: 90° and 45° with 28-3/4" inside radius.

Rollers: 1.9" diameter x 16 ga. galvanized steel tubing. Oiled ball bearings both ends.

Axles: 7/16" hex steel, spring loaded for easy installation or removal, spaced on 3" or 6" centers.

Capacity: Same per foot capacity as straight sections.

| OUTSIDE RADIUS | |
|-----------------------|----------------|
| Nominal Overall Width | Outside Radius |
| 12" | 40-1/4" |
| 18" | 46-1/4" |
| 24" | 52-1/4" |
| 30" | 58-1/4" |
| 36" | 64-1/4" |

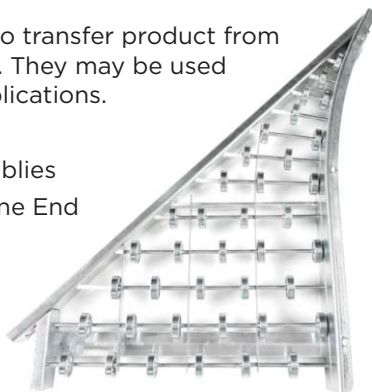
| MODEL NUMBER EXAMPLE - 1.9" DIAMETER ROLLER CURVED | | | | | |
|--|---------------|-----------------|------------------------------------|----------------|-----------------|
| 12 | 30 | MRS | G | 30 | 90 |
| NOMINAL OVERALL CONVEYOR WIDTH | INSIDE RADIUS | CONVEYOR SERIES | GALVANIZED STEEL FRAME AND ROLLERS | ROLLER CENTERS | CONVEYOR LENGTH |

| 1.9" DIAMETER ROLLER (MRS) CURVED | | | | | |
|-----------------------------------|---------------------|--------------|--------|----------------|--------------|
| OVERALL WIDTH (NOMINAL)* | BETWEEN FRAME WIDTH | MODEL # | DEGREE | ROLLER CENTERS | WEIGHT (LBS) |
| 12" | 9" | 1230MRSG3090 | 90 | 3" | 61 |
| | | 1230MRSG6090 | | 6" | 44 |
| | | 1230MRSG3045 | 45 | 3" | 30 |
| | | 1230MRSG6045 | | 6" | 23 |
| 18" | 15" | 1830MRSG3090 | 90 | 3" | 85 |
| | | 1830MRSG6090 | | 6" | 58 |
| | | 1830MRSG3045 | 45 | 3" | 42 |
| | | 1830MRSG6045 | | 6" | 31 |
| 24" | 21" | 2430MRSG3090 | 90 | 3" | 107 |
| | | 2430MRSG6090 | | 6" | 71 |
| | | 2430MRSG3045 | 45 | 3" | 54 |
| | | 2430MRSG6045 | | 6" | 40 |
| 30" | 27" | 3030MRSG3090 | 90 | 3" | 130 |
| | | 3030MRSG6090 | | 6" | 85 |
| | | 3030MRSG3045 | 45 | 3" | 64 |
| | | 3030MRSG6045 | | 6" | 46 |
| 36" | 33" | 3630MRSG3090 | 90 | 3" | 159 |
| | | 3630MRSG6090 | | 6" | 105 |
| | | 3630MRSG3045 | 45 | 3" | 79 |
| | | 3630MRSG6045 | | 6" | 57 |

*NOTE: Actual width is 1/2" less than nominal.

Skatewheel Spurs are used to transfer product from one conveyor line to another. They may be used for merging or diverging applications.

- 4 Widths
- Right & Left Hand Assemblies
- Gravity Hooks & Studs One End
- 45° and 90° Spurs



Specifications

Width: 12", 15", 18", and 24" OAW

Frame: 2-1/2" deep x 1" flange x 12 ga. galvanized steel with bolt in cross braces.

Couplings: Hooks and studs on one end, nesting channel on opposite end.

Spurs: 90° and 45° with 33" inside radius. Left or Right Hand, specify.

Wheels: 1-15/16" dia. with ball bearings in hardened raceway. Zinc plated steel.

Axles: 1/4" dia. steel, threaded one end with locknut, spaced on 3" equivalent centers. Spacers are zinc plated steel.

Capacity: Same per foot capacity as straight sections.

MODEL NUMBER EXAMPLE - SKATEWHEEL SPUR

| | | | | | | |
|------------------------|---------------|-----------------|-----------|-----------------|----------------|--------------------|
| 12 | 33 | SW | SP | 12 | 90 | R or L |
| OVERALL CONVEYOR WIDTH | INSIDE RADIUS | CONVEYOR SERIES | SPUR | WHEELS PER FOOT | DEGREE OF SPUR | RIGHT OR LEFT HAND |

SKATEWHEEL SPURS

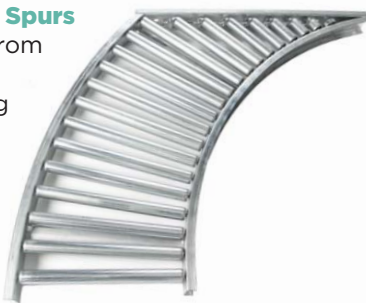
| OVERALL WIDTH | 90 DEGREE SPUR | | | 45 DEGREE SPUR | | |
|---------------|-----------------------|---------------|--------------|-----------------------|---------------|--------------|
| | MODEL# | WHEELS PER FT | WEIGHT (LBS) | MODEL # | WHEELS PER FT | WEIGHT (LBS) |
| 12" | 1233SWSP1290 (L or R) | 12 | 30 | 1233SWSP1245 (L or R) | 12 | 23 |
| 15" | 1533SWSP1690 (L or R) | 16 | 31 | 1533SWSP1645 (L or R) | 16 | 24 |
| 18" | 1833SWSP1890 (L or R) | 18 | 37 | 1833SWSP1845 (L or R) | 18 | 28 |
| 24" | 2433SWSP2490 (L or R) | 24 | 42 | 2433SWSP2445 (L or R) | 24 | 32 |



1.38" Diameter Gravity Roller Spurs

are used to transfer product from one conveyor line to another. They may be used for merging or diverging applications.

- 4 Widths
- Right & Left Hand Assemblies
- Gravity Hooks & Studs One End
- 45° and 90° Spurs



Specifications

Width: 12", 15", 18", and 24" OAW

Frame: 2-1/2" deep x 1" flange x 12 ga. galvanized steel channel with bolt in cross braces.

Couplings: Hooks and stud on one end, nesting channel on opposite end.

Spurs: 90° and 45° with 36" inside radius. Left or Right Hand, specify.

Rollers: 1-3/8" dia. x 18 gauge galvanized steel tubing. Oil ball bearings both ends.

Axles: 1/4" dia. steel, spring loaded for easy installation or removal, spaced on 3" centers.

Capacity: Same per foot capacity as straight sections.

MODEL NUMBER EXAMPLE - 1.38" DIAMETER ROLLER SPUR

| | | | | | | |
|------------------------|---------------|-----------------|----------|----------------|----------------|--------------------|
| 12 | 36 | JRS | P | 2.12 | 90 | R or L |
| OVERALL CONVEYOR WIDTH | INSIDE RADIUS | CONVEYOR SERIES | SPUR | ROLLER CENTERS | DEGREE OF SPUR | RIGHT OR LEFT HAND |

1.38" DIAMETER ROLLER SPURS (JRS)

| OVERALL WIDTH | 90 DEGREE SPUR | | | 45 DEGREE SPUR | | |
|---------------|-------------------------|----------------|--------------|-------------------------|----------------|--------------|
| | MODEL# | ROLLER CENTERS | WEIGHT (LBS) | MODEL # | ROLLER CENTERS | WEIGHT (LBS) |
| 12" | 1236JRSP2.1290 (L or R) | 3" | 45 | 1236JRSP2.1245 (L or R) | 3" | 30 |
| 15" | 1536JRSP2.1290 (L or R) | 3" | 55 | 1536JRSP2.1245 (L or R) | 3" | 36 |
| 18" | 1836JRSP2.1290 (L or R) | 3" | 66 | 1836JRSP2.1245 (L or R) | 3" | 42 |
| 24" | 2436JRSP2.1290 (L or R) | 3" | 87 | 2436JRSP2.1245 (L or R) | 3" | 54 |

Gravity Gates are available for SW, JRS, and MRS series conveyor. They provide a means for personnel or equipment to pass through your conveyor line. Gates utilize nitrogen-filled gas springs to assist in lifting.

Lift Assisted Gate

For skatewheel (SW) conveyor & 1.38" dia. roller (JRS)

- 4 Widths - 12", 15", 18", 24" OAW
- 3 ft., 4 ft. or 5 ft. lengths
- Steel or Aluminum frames, skatewheels, and rollers
- 2-1/2" x 1" channel frame - 12 ga. galvanized steel or .112" extruded aluminum

For 1.9" diameter roller (MRS)

- 5 widths - 12", 18", 24", 30", 36" OAW
- 3 ft., 4 ft., or 5 ft. lengths
- Galvanized steel frames and rollers
- 3-1/2" x 1-1/4" x 12 ga. galvanized steel frame

How to select your gate:

1. Select the conveyor line first (JRS, MRS or SW)
2. Then find your gate length (5,4 or 3 feet)
3. Next, find your conveyor roller spacing (1.5, 3, 4.5 or 6 inches) or wheel pattern (for SW)
4. Lastly, find your conveyor width (12-36 inches) and see if you need a 50lbs. kit or a 150lbs. kit.
5. If your gate configuration is not listed, please contact UNEX or your distributor.



| JRS | | | | | |
|---------------------------|---------|-----------|----------|----------|----------|
| GATE CONVEYOR LENGTH (ft) | OC (in) | 12" WIDE | 15" WIDE | 18" WIDE | 24" WIDE |
| 5 | 1.5 | T3GJSW150 | | | |
| | 3.0 | | | | |
| | 4.5 | | | | |
| | 6.0 | | | | |
| 4 | 1.5 | T3GJSW50 | | | |
| | 3.0 | | | | |
| | 4.5 | | | | |
| | 6.0 | | | | |
| 3 | 1.5 | T3GJSW50 | | | |
| | 3.0 | | | | |
| | 4.5 | | | | |
| | 6.0 | | | | |

| SW | | | | |
|---------------------------|-----------------|-----------------|-----------------|-----------------|
| GATE CONVEYOR LENGTH (ft) | 12 WPF 12" WIDE | 12 WPF 15" WIDE | 16 WPF 18" WIDE | 20 WPF 24" WIDE |
| 5 | T3GJSW150 | | | |
| 4 | T3GJSW50 | | | |
| 3 | T3GJSW50 | | | |

| MRS | | | | | | |
|---------------------------|---------|-----------|-----------|-----------|-----------|-----------|
| GATE CONVEYOR LENGTH (ft) | OC (in) | 12" WIDE | 18" WIDE | 24" WIDE | 30" WIDE | 36" WIDE |
| 5 | 3.0 | T3G12M150 | T3G18M150 | T3G24M150 | T3G30M150 | T3G36M150 |
| | 4.5 | | | | | |
| | 6.0 | | | | | |
| 4 | 3.0 | T3G12M50 | T3G18M50 | T3G24M50 | T3G30M50 | T3G36M50 |
| | 4.5 | | | | | |
| | 6.0 | | | | | |
| 3 | 3.0 | T3G12M50 | T3G18M50 | T3G24M50 | T3G30M50 | T3G36M50 |
| | 4.5 | | | | | |
| | 6.0 | | | | | |

NOTES:

1. Infeed section must be a minimum of 12" long and supports must be lagged to floor.
2. Gate part numbers are for hinge assemblies only and do not include conveyor section.

“H” Type Permanent Floor Supports - “CS” Series

For use with skatewheel (SW) or 1.38” dia. roller conveyor (JRS)

- Top bracket adjustable for pitch, boots for leveling with holes for lagging to floor.
- Formed 12 ga. galvanized steel construction.
- Supports shipped knocked down.
- Single leg outboard support for use on outside radius of 90° curves.

Note: Add 2-3/4” to support height for top of conveyor height.



Single leg outboard

| “H” TYPE PERMANENT FLOOR SUPPORTS - “CS” SERIES | | | | | | | | | | |
|---|----------------|-----|--------------------------------|------|------|------|------|--------------------------|--------------|--|
| SUPPORT MODEL # | SUPPORT HEIGHT | | WEIGHT (LBS) OA CONVEYOR WIDTH | | | | | OUTBOARD SUPPORT MODEL # | WEIGHT (LBS) | |
| | MIN | MAX | 12” | 15” | 18” | 24” | 30” | | | |
| CS511 | 5” | 11” | 6.4 | 6.4 | 6.4 | 6.4 | 6.4 | SCS511 | 3.2 | |
| CS1115 | 11” | 15” | 9.7 | 10 | 10.3 | 11 | 11.6 | SCS1115 | 3.7 | |
| CS1523 | 15” | 23” | 12.1 | 12.5 | 12.8 | 13.4 | 14.1 | SCS1523 | 4.9 | |
| CS2338 | 23” | 38” | 17.1 | 17.5 | 17.8 | 18.4 | 19 | SCS2338 | 7.4 | |
| CS3853 | 38” | 53” | 22.2 | 22.9 | 23.5 | 24.8 | 26.1 | SCS3853 | 9.2 | |
| CS5368 | 53” | 68” | 25.8 | 26.5 | 27.1 | 28.4 | 29.7 | SCS5368 | 11 | |

MODEL NUMBER - CS SERIES SUPPORT

CS SUPPORT SERIES

2338 HEIGHT ADJUSTMENT

12 OA CONVEYOR WIDTH

“H” Type Permanent Floor Supports - “MCS” Series

For use with 1.9” dia. roller conveyor (MRS)

- Top bracket adjustable for pitch, boots for leveling with holes for lagging to floor.
- Formed 12 ga. galvanized steel construction.
- Supports shipped knocked down.
- Single leg outboard support for use on outside radius of 90° curves.

Note: Add 3-3/4” to support height for top of conveyor height.



| “H” TYPE PERMANENT FLOOR SUPPORTS - “MCS” SERIES | | | | | | | | | | |
|--|----------------|------|--------------------------------|------|------|------|------|--------------------------|--------------|--|
| SUPPORT MODEL # | SUPPORT HEIGHT | | WEIGHT (LBS) OA CONVEYOR WIDTH | | | | | OUTBOARD SUPPORT MODEL # | WEIGHT (LBS) | |
| | MIN. | MAX. | 12” | 18” | 24” | 30” | 36” | | | |
| CS511 | 5” | 11” | 6.4 | 6.4 | 6.4 | 6.4 | 6.4 | SCS511 | 3.2 | |
| MCS1115 | 11” | 15” | 9.7 | 10.3 | 11 | 11.6 | 12.2 | SCS1115 | 3.7 | |
| MCS1523 | 15” | 23” | 12.1 | 12.8 | 13.4 | 14.1 | 14.7 | SCS1523 | 4.9 | |
| MCS2338 | 23” | 38” | 17.1 | 17.8 | 18.4 | 19 | 19.7 | SCS2338 | 7.4 | |
| MCS3853 | 38” | 53” | 22.2 | 23.5 | 24.8 | 26.1 | 27.3 | SCS3853 | 9.2 | |
| MCS5368 | 53” | 68” | 25.8 | 27.1 | 28.4 | 29.7 | 31 | SCS5368 | 11 | |

MODEL NUMBER - MCS SERIES SUPPORT

MCS SUPPORT SERIES

2338 HEIGHT ADJUSTMENT

12 OA CONVEYOR WIDTH



Caster option
Contact factory

Portable Tripod Supports

For use with skatewheel (SW) or 1.38” dia. roller conveyor (JRS)

- Welded tubular construction with hand key adjustment locking.

Note: Add 2” to support height for top of conveyor height.

Option: Portable support available with 3” dia. swivel casters with wheel brake. (Adds 4” to support height)

| PORTABLE TRIPOD SUPPORTS | | | | |
|--------------------------|-------|---------|-----|--------------|
| MODEL # | WIDTH | SUPPORT | | WEIGHT (LBS) |
| | | MIN | MAX | |
| T142412 | 12” | 14” | 24” | 6 |
| T244212 | 12” | 24” | 42” | 11 |
| T305012 | 12” | 30” | 50” | 11 |
| T427812 | 12” | 42” | 78” | 17 |
| T142415 | 15” | 14” | 24” | 6 |
| T244215 | 15” | 24” | 42” | 11 |
| T305015 | 15” | 30” | 50” | 12 |
| T427815 | 15” | 42” | 78” | 17 |
| T142418 | 18” | 14” | 24” | 7 |
| T244218 | 18” | 24” | 42” | 11 |
| T305018 | 18” | 30” | 50” | 12 |
| T427818 | 18” | 42” | 78” | 17 |
| T142424 | 24” | 14” | 24” | 7 |
| T244224 | 24” | 24” | 42” | 11 |
| T305024 | 24” | 30” | 50” | 12 |
| T427824 | 24” | 42” | 78” | 17 |



MODEL NUMBER - PORTABLE TRIPOD SUPPORT

T SUPPORT SERIES

3050 HEIGHT ADJUSTMENT

12 OA CONVEYOR WIDTH



Stops

| END STOP ACCESSORIES | | | | |
|----------------------|---------------|-----------------------|------------------|-----------|
| TYPE/OA WIDTH | PACKAGE STOPS | FIXED ANGLE END STOPS | ROLLER STOP KITS | |
| SW/JRS | 12" | 12SSG | 12FAES-JRS | RRSTOPJRS |
| | 15" | 15SSG | 15FAES-JRS | |
| | 18" | 18SSG | 18FAES-JRS | |
| | 24" | 24SSG | 24FAES-JRS | |
| MRS | 12" | | 12FAES-MRS | RRSTOPMRS |
| | 18" | | 18FAES-MRS | |
| | 24" | | 24FAES-MRS | |
| | 30" | | 30FAES-MRS | |
| | 36" | | 36FAES-MRS | |



Roller Stop

Roller Stops allow for loads to be supported while pulling product from the end of conveyor section

Note: kit uses a roller from conveyor section



Package Stop

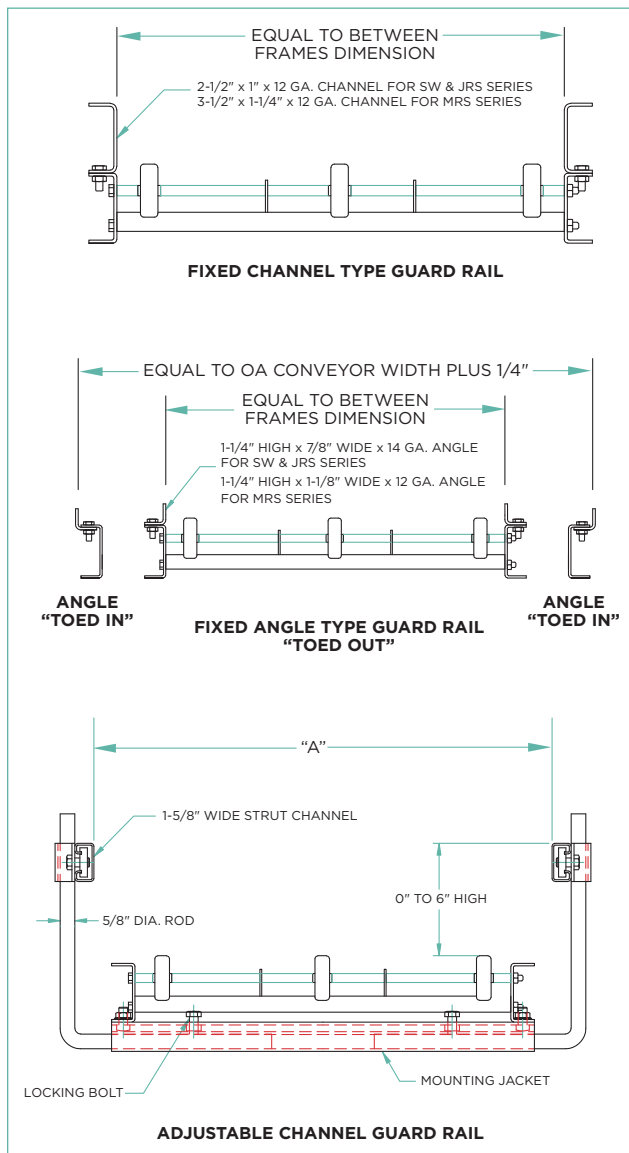
Package Stops are simply placed on the end of skatewheel or JRS conveyor sections.

NOTE: Not for use on JRS conveyor with rollers on 1-1/2" centers.



Fixed Angle End Stop

Fixed Angle End Stops consist of a 1-1/4" x 1-1/4" 10 ga. galvanized steel bracket bolted to the top of the conveyor side channels at the end of the conveyor section. Available in all standard conveyor widths.



Guard Rail

For use with SW, JRS and MRS series conveyor

- All guard rail available for straight and curved sections.
- All guard rail available for one or both sides
- All guard rail is shipped loose for field mounting
- Fixed angle guard can be toed in or out



Adjustable Guard Rail



Fixed Angle Guard Rail

To order guard rail, please consult the factory.

| INSIDE CLEARANCE RANGE FOR ADJUSTABLE GUARD RAIL | | | |
|--|--------------------|----------------------|----------------|
| OA WIDTH SW/JRS | "A" ADJUSTMENT | OA WIDTH MRS | "A" ADJUSTMENT |
| 12" | 11-1/2" TO 17-1/2" | 12" (11-1/2" ACTUAL) | 11" TO 18" |
| 15" | 14-1/2" TO 20-1/2" | 18" (17-1/2" ACTUAL) | 17" TO 29" |
| 18" | 17-1/2" TO 29-1/2" | 24" (23-1/2" ACTUAL) | 23" TO 35" |
| 24" | 23-1/2" TO 35-1/2" | 30" (29-1/2" ACTUAL) | 29" TO 41" |
| | | 36" (35-1/2" ACTUAL) | 35" TO 47" |

NOTE: If using fixed angle or channel style guard rail with a fixed angle end stop, order the guard rail 1-1/4" shorter per end stop.



UNEX **Ball Transfer Tables** are a multidirectional material handling solution that helps position material precisely. Ball transfers are also useful for making tight turns when curves aren't an option.

Ball Transfer Table uses:

- When products are required to be manually rotated or positioned - without lifting
- Ideal for workstations or transferring from 2 adjacent conveyor lines
- Can be used for tight 90° turns (in place of curved sections)
- Can also be used as turntables

Features:

- 9 standard conveyor widths
- 3 ball centers
- Galvanized steel side frames
- Balls set high (for set low - add angle guard rail)

Specifications

Light Duty - JRS & SW Series

Widths: 12", 15", 18", and 24" wide.

Frame: 2-1/2" deep x 1" flange x 12 ga. galvanized steel channel with bolt in cross braces.

- Also available as "drop-in" style to replace rollers in UNEX SW or JRS gravity conveyor

Medium Duty - MRS Series

Widths: 12", 18", 24", 30", and 36" wide. (actual OAW is 1/2" less)

Frame: 3-1/2" deep x 1-1/4" flange x 12 ga. galvanized steel channel with bolt in cross braces.

- Also available as "drop-in" style to replace rollers in UNEX MRS gravity conveyor

Lengths: 1 ft. to 3 ft. in 6" increments.

Special lengths up to 10 ft. available.

Balls: 1" dia. carbon steel ball in zinc plated housing - 1/4-20NC stud mount - set high in frame to match roller height.

Capacity: 50 lbs. per ball. Frame capacities are same as conveyor straight sections.

Ball Pattern: Available on 2", 3", and 4" oc square pattern.

Note: A minimum of 9 balls are required to support product.

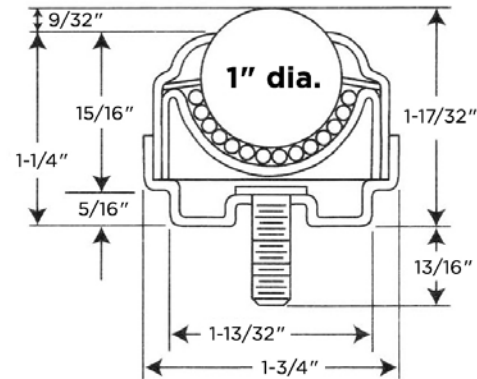
MODEL NUMBER EXAMPLE - BALL TRANSFER

| | | | | | |
|----------------|-----------------------------|-----------|--------------------------|--------------|-----------------|
| 12 | BT | DI | JRS | 2 | x3 |
| CONVEYOR WIDTH | BALL TRANSFER (IF REQUIRED) | DROP IN | MATCHING CONVEYOR SERIES | BALL CENTERS | CONVEYOR LENGTH |

| LIGHT DUTY JRS | | | | | |
|-------------------|--------------|--------------|----------|----------|----------|
| 12" OVERALL WIDTH | | | | | |
| MODEL # | BALL CENTERS | WEIGHT (LBS) | | | |
| | | 1'-6" LG | 2'-0" LG | 2'-6" LG | 3'-0" LG |
| 12BTJRS2X | 2" | 29.3 | 39.1 | 48.9 | 58.6 |
| 12BTJRS3X | 3" | 19.6 | 26.2 | 32.7 | 39.2 |
| 12BTJRS4X | 4" | | 24 | | 36 |
| 15" OVERALL WIDTH | | | | | |
| MODEL # | BALL CENTERS | WEIGHT (LBS) | | | |
| | | 1'-6" LG | 2'-0" LG | 2'-6" LG | 3'-0" LG |
| 15BTJRS2X | 2" | 36.8 | 49.1 | 61.3 | 73.6 |
| 15BTJRS3X | 3" | 24 | 32 | 40 | 48 |
| 15BTJRS4X | 4" | | 26.9 | | 40.4 |
| 18" OVERALL WIDTH | | | | | |
| MODEL # | BALL CENTERS | WEIGHT (LBS) | | | |
| | | 1'-6" LG | 2'-0" LG | 2'-6" LG | 3'-0" LG |
| 18BTJRS2X | 2" | 43.4 | 57.8 | 72.3 | 86.6 |
| 18BTJRS3X | 3" | 28.3 | 37.7 | 47.1 | 56.6 |
| 18BTJRS4X | 4" | | 28.4 | | 42.6 |
| 24" OVERALL WIDTH | | | | | |
| MODEL # | BALL CENTERS | WEIGHT (LBS) | | | |
| | | 1'-6" LG | 2'-0" LG | 2'-6" LG | 3'-0" LG |
| 24BTJRS2X | 2" | 57.4 | 76.4 | 95.5 | 114.8 |
| 24BTJRS3X | 3" | 36.9 | 49.1 | 61.4 | 73.8 |
| 24BTJRS4X | 4" | | 31.5 | | 47.3 |

| LIGHT DUTY SW | | | | | |
|-------------------|--------------|--------------|----------|----------|----------|
| 12" OVERALL WIDTH | | | | | |
| MODEL # | BALL CENTERS | WEIGHT (LBS) | | | |
| | | 1'-6" LG | 2'-0" LG | 2'-6" LG | 3'-0" LG |
| 12BTSW2X | 2" | 29.3 | 39.1 | 48.9 | 58.6 |
| 12BTSW3X | 3" | 19.6 | 26.2 | 32.7 | 39.2 |
| 12BTSW4X | 4" | | 24 | | 36 |
| 15" OVERALL WIDTH | | | | | |
| MODEL # | BALL CENTERS | WEIGHT (LBS) | | | |
| | | 1'-6" LG | 2'-0" LG | 2'-6" LG | 3'-0" LG |
| 15BTSW2X | 2" | 36.8 | 49.1 | 61.3 | 73.6 |
| 15BTSW3X | 3" | 24 | 32 | 40 | 48 |
| 15BTSW4X | 4" | | 26.9 | | 40.4 |
| 18" OVERALL WIDTH | | | | | |
| MODEL # | BALL CENTERS | WEIGHT (LBS) | | | |
| | | 1'-6" LG | 2'-0" LG | 2'-6" LG | 3'-0" LG |
| 18BTSW2X | 2" | 43.4 | 57.8 | 72.3 | 86.6 |
| 18BTSW3X | 3" | 28.3 | 37.7 | 47.1 | 56.6 |
| 18BTSW4X | 4" | | 28.4 | | 42.6 |
| 24" OVERALL WIDTH | | | | | |
| MODEL # | BALL CENTERS | WEIGHT (LBS) | | | |
| | | 1'-6" LG | 2'-0" LG | 2'-6" LG | 3'-0" LG |
| 24BTSW2X | 2" | 57.4 | 76.4 | 95.5 | 114.8 |
| 24BTSW3X | 3" | 36.9 | 49.1 | 61.4 | 73.8 |
| 24BTSW4X | 4" | | 31.5 | | 47.3 |

| LIGHT DUTY JRS/SW DROP IN | | | |
|-----------------------------------|--------------|--------------|----------|
| 10" BETWEEN FRAMES (FOR 12" WIDE) | | | |
| MODEL # | BALL CENTERS | WEIGHT (LBS) | |
| | | 1'-0" LG | 1'-6" LG |
| 10BTDI-JRSSW2X | 2" | 16.7 | 25.1 |
| 10BTDI-JR/SWS3X | 3" | 10.2 | 15.3 |
| 10BTDI-JRS/SW4X | 4" | 9.1 | |
| 13" BETWEEN FRAMES (FOR 15" WIDE) | | | |
| MODEL # | BALL CENTERS | WEIGHT (LBS) | |
| | | 1'-0" LG | 1'-6" LG |
| 13BTDI-JRSSW2X | 2" | 20.3 | 30.5 |
| 13BTDI-JR/SWS3X | 3" | 13.1 | 19.7 |
| 13BTDI-JRS/SW4X | 4" | 10.6 | |
| 16" BETWEEN FRAMES (FOR 18" WIDE) | | | |
| MODEL # | BALL CENTERS | WEIGHT (LBS) | |
| | | 1'-0" LG | 1'-6" LG |
| 16BTDI-JRSSW2X | 2" | 26.1 | 39.1 |
| 16BTDI-JR/SWS3X | 3" | 16 | 24 |
| 16BTDI-JRS/SW4X | 4" | 13.1 | |
| 22" BETWEEN FRAMES (FOR 24" WIDE) | | | |
| MODEL # | BALL CENTERS | WEIGHT (LBS) | |
| | | 1'-0" LG | 1'-6" LG |
| 22BTDI-JRSSW2X | 2" | 35.4 | 53.2 |
| 22BTDI-JR/SWS3X | 3" | 21.8 | 32.6 |
| 22BTDI-JRS/SW4X | 4" | 18.2 | |



Ball Transfer Detail

| LOAD CAPACITY CHART - BALL TRANSFER | | | |
|-------------------------------------|-----------------|------------------------------------|-----------------------|
| CONVEYOR SERIES | SUPPORT CENTERS | FRAME CAPACITY | BALL CAPACITY |
| | | MAXIMUM UNIFORMLY DISTRIBUTED LOAD | MAXIMUM LOAD PER BALL |
| SW/JRS | 10 FT | 550 LBS | 50 LBS |
| | 5 FT | 2100 LBS | |
| MRS | 10 FT | 1000 LBS | 50 LBS |
| | 5 FT | 4000 LBS | |

| MEDIUM DUTY MRS | | | | | |
|-------------------|--------------|--------------|----------|----------|----------|
| 12" OVERALL WIDTH | | | | | |
| MODEL # | BALL CENTERS | WEIGHT (LBS) | | | |
| | | 1'-6" LG | 2'-0" LG | 2'-6" LG | 3'-0" LG |
| 12BTMRS2X | 2" | 29 | 38.6 | 48.3 | 58 |
| 12BTMRS3X | 3" | 22.6 | 28.8 | 36 | 43.2 |
| 12BTMRS4X | 4" | 24.7 | | | 37 |
| 18" OVERALL WIDTH | | | | | |
| MODEL # | BALL CENTERS | WEIGHT (LBS) | | | |
| | | 1'-6" LG | 2'-0" LG | 2'-6" LG | 3'-0" LG |
| 18BTMRS2X | 2" | 44.4 | 59.2 | 74 | 88.8 |
| 18BTMRS3X | 3" | 32.5 | 43.3 | 54.1 | 65 |
| 18BTMRS4X | 4" | 37.6 | | | 56.3 |
| 24" OVERALL WIDTH | | | | | |
| MODEL # | BALL CENTERS | WEIGHT (LBS) | | | |
| | | 1'-6" LG | 2'-0" LG | 2'-6" LG | 3'-0" LG |
| 24BTMRS2X | 2" | 59.7 | 79.5 | 99.4 | 119.4 |
| 24BTMRS3X | 3" | 42.4 | 56.5 | 70.6 | 84.8 |
| 24BTMRS4X | 4" | 47 | | | 70.5 |
| 30" OVERALL WIDTH | | | | | |
| MODEL # | BALL CENTERS | WEIGHT (LBS) | | | |
| | | 1'-6" LG | 2'-0" LG | 2'-6" LG | 3'-0" LG |
| 30BTMRS2X | 2" | 75 | 100 | 125 | 150 |
| 30BTMRS3X | 3" | 52.4 | 69.8 | 87.2 | 104.8 |
| 30BTMRS4X | 4" | 59 | | | 88.5 |
| 36" OVERALL WIDTH | | | | | |
| MODEL # | BALL CENTERS | WEIGHT (LBS) | | | |
| | | 1'-6" LG | 2'-0" LG | 2'-6" LG | 3'-0" LG |
| 36BTMRS2X | 2" | 90.4 | 120.4 | 150.1 | 180.8 |
| 36BTMRS3X | 3" | 62.3 | 83 | 103.8 | 124.6 |
| 36BTMRS4X | 4" | 68.7 | | | 103.1 |

| MEDIUM DUTY MRS DROP IN | | | |
|-----------------------------------|--------------|--------------|----------|
| 9" BETWEEN FRAMES (FOR 12" WIDE) | | | |
| MODEL # | BALL CENTERS | WEIGHT (LBS) | |
| | | 1'-0" LG | 1'-6" LG |
| 9BTDI-MRS2X | 2" | 15.4 | 23 |
| 9BTDI-MRS3X | 3" | 11 | 16.6 |
| 9BTDI-MRS4X | 4" | 8.9 | |
| 15" BETWEEN FRAMES (FOR 18" WIDE) | | | |
| MODEL # | BALL CENTERS | WEIGHT (LBS) | |
| | | 1'-0" LG | 1'-6" LG |
| 15BTDI-MRS2X | 2" | 25.6 | 38.4 |
| 15BTDI-MRS3X | 3" | 17.7 | 26.5 |
| 15BTDI-MRS4X | 4" | 14.8 | |
| 21" BETWEEN FRAMES (FOR 24" WIDE) | | | |
| MODEL # | BALL CENTERS | WEIGHT (LBS) | |
| | | 1'-0" LG | 1'-6" LG |
| 21BTDI-MRS2X | 2" | 35.8 | 53.7 |
| 21BTDI-MRS3X | 3" | 24.3 | 36.5 |
| 21BTDI-MRS4X | 4" | 19.6 | |
| 27" BETWEEN FRAMES (FOR 30" WIDE) | | | |
| MODEL # | BALL CENTERS | WEIGHT (LBS) | |
| | | 1'-0" LG | 1'-6" LG |
| 27BTDI-MRS2X | 2" | 46.1 | 69.1 |
| 27BTDI-MRS3X | 3" | 30.9 | 46.4 |
| 27BTDI-MRS4X | 4" | 25.5 | |
| 33" BETWEEN FRAMES (FOR 36" WIDE) | | | |
| MODEL # | BALL CENTERS | WEIGHT (LBS) | |
| | | 1'-0" LG | 1'-6" LG |
| 33BTDI-MRS2X | 2" | 56.3 | 84.4 |
| 33BTDI-MRS3X | 3" | 37.6 | 56.3 |
| 33BTDI-MRS4X | 4" | 30.4 | |

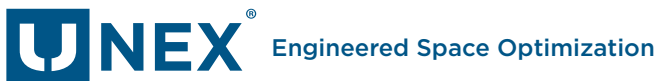


CUSTOM CAPABILITY

UNEX has the ability to provide custom variations of our products.

Special lengths, widths, roller centers, wheel patterns, or modified standards can be provided to meet requirements of your particular applications.

Contact the UNEX factory for more information or to discuss specific needs.



UNEX MANUFACTURING, INC. | 691 New Hampshire Avenue, Lakewood, NJ 08701
800.334.UNEX (8639) | e-mail: span@unex.com



gravity//conveyor

unex.com