



gravity//conveyor



Engineered Space Optimization



gravity//conveyor

## Contents

Skatewheel Conveyor (SW) . . . . .	2
1.38" Diameter Roller Conveyor (JRS) . . . . .	4
1.9" Diameter Roller Conveyor (MRS) . . . . .	6
Spurs . . . . .	8
Gates . . . . .	9
Supports . . . . .	10
Accessories . . . . .	11
Ball Transfer Tables . . . . .	12

**72 HOUR  
GRAVITY CONVEYOR**

**QUICKSHIP**

**AVAILABLE FOR SELECTED SIZES OF:**

- 1.38" Diameter Roller (JRS)
- 1.9" Diameter Roller (MRS)
- Skatwheel (SW)
- Supports

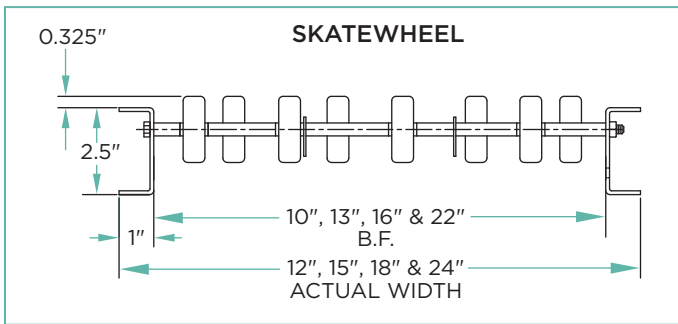
Look for the  inside





**Skatewheel Gravity Conveyor** is ideally suited to convey lightweight packages and where operations require portable or temporary conveyor lines such as warehousing or shipping areas.

- 4 Widths
- Axles on 3" Centers
- Steel or Aluminum Frames & Wheels
- Wheels Set High (for wheels set low, add angle guard rail)



### Straight Sections

#### Specifications

**Width:** 12", 15", 18" and 24" OAW

**Frame:** 2-1/2" deep x 1" flange x 12 ga. Galvanized Steel or 0.112" extruded aluminum channel with bolt in cross braces

**Couplings:** Hooks one end, studs on opposite end.

NOTE: Steel conveyor available without couplings for permanent installations - Add "SE" suffix to conveyor part number for square cut side channels.

**Lengths:** 10 ft. and 5 ft. straight sections. Special lengths available.

**Wheels:** 1-15/16" dia. with ball bearings in hardened raceway. Zinc plated steel or corrosion resistant aluminum.

**Axles:** 1/4" dia. steel, threaded one end with locknut, spaced on 3" centers. Spacers are zinc plated steel.

**Capacity:** See Load Capacity Chart.

#### MODEL NUMBER EXAMPLE - SKATEWHEEL STRAIGHT

<b>12</b>	<b>SW</b>	<b>G or A</b>	<b>S or A</b>	<b>10</b>	<b>x10</b>
OVERALL CONVEYOR WIDTH	CONVEYOR SERIES	G = GALVANIZED STEEL FRAME A = ALUMINUM FRAME	S = STEEL WHEEL A = ALUMINUM WHEEL	WHEELS PER FOOT	CONVEYOR LENGTH

#### LOAD CAPACITY CHART - SKATEWHEEL

FRAME MATERIAL	SUPPORT CENTERS	FRAME CAPACITY*	WHEEL CAPACITY
STEEL	10 FT.	600 LBS.	50 LBS.
	5 FT.	2100 LBS.	
ALUMINUM	10 FT.	300 LBS.	25 LBS.
	5 FT.	1400 LBS.	

\*MAXIMUM UNIFORMLY DISTRIBUTED LOAD OVER 10 FT.

#### STEEL FRAME/STEEL WHEEL

12" OVERALL WIDTH				15" OVERALL WIDTH				18" OVERALL WIDTH				24" OVERALL WIDTH			
MODEL #	WHEELS PER FT.	WEIGHT (LBS) 10 FT.	WEIGHT (LBS) 5 FT.	MODEL #	WHEELS PER FT.	WEIGHT (LBS) 10 FT.	WEIGHT (LBS) 5 FT.	MODEL #	WHEELS PER FT.	WEIGHT (LBS) 10 FT.	WEIGHT (LBS) 5 FT.	MODEL #	WHEELS PER FT.	WEIGHT (LBS) 10 FT.	WEIGHT (LBS) 5 FT.
12SWG10	10	59	30	15SWG10	10	66	33	18SWG14	14	76	38	24SWG16	16	91	46
12SWG12	12	62	31	15SWG12	12	69	35	18SWG16	16	81	40	24SWG20	20	95	48
12SWG16	16	68	34	15SWG16	16	75	38	18SWG18	18	85	41	24SWG24	24	101	50

#### ALUMINUM FRAME/STEEL WHEEL

12" OVERALL WIDTH				15" OVERALL WIDTH				18" OVERALL WIDTH				24" OVERALL WIDTH			
MODEL #	WHEELS PER FT.	WEIGHT (LBS) 10 FT.	WEIGHT (LBS) 5 FT.	MODEL #	WHEELS PER FT.	WEIGHT (LBS) 10 FT.	WEIGHT (LBS) 5 FT.	MODEL #	WHEELS PER FT.	WEIGHT (LBS) 10 FT.	WEIGHT (LBS) 5 FT.	MODEL #	WHEELS PER FT.	WEIGHT (LBS) 10 FT.	WEIGHT (LBS) 5 FT.
12SWAS10	10	43	22	15SWAS10	10	50	25	18SWAS14	14	59	30	24SWAS16	16	74	37
12SWAS12	12	46	23	15SWAS12	12	52	26	18SWAS16	16	64	32	24SWAS20	20	78	39
12SWAS16	16	52	26	15SWAS16	16	58	29	18SWAS18	18	68	33	24SWAS24	24	84	42

#### ALUMINUM FRAME/ALUMINUM WHEEL

12" OVERALL WIDTH				15" OVERALL WIDTH				18" OVERALL WIDTH				24" OVERALL WIDTH			
MODEL #	WHEELS PER FT.	WEIGHT (LBS) 10 FT.	WEIGHT (LBS) 5 FT.	MODEL #	WHEELS PER FT.	WEIGHT (LBS) 10 FT.	WEIGHT (LBS) 5 FT.	MODEL #	WHEELS PER FT.	WEIGHT (LBS) 10 FT.	WEIGHT (LBS) 5 FT.	MODEL #	WHEELS PER FT.	WEIGHT (LBS) 10 FT.	WEIGHT (LBS) 5 FT.
12SWAA10	10	38	19	15SWAA10	10	45	23	18SWAA14	14	53	27	24SWAA16	16	66	34
12SWAA12	12	40	20	15SWAA12	12	47	24	18SWAA16	16	57	29	24SWAA20	20	69	35
12SWAA16	16	44	22	15SWAA16	16	51	26	18SWAA18	18	61	31	24SWAA24	24	73	37





**Skatewheel Curves** are compatible with straight sections, allowing flexibility on conveyor lines. They maintain package orientation due to the differential action of the individual wheels.

- 4 Widths
- Steel or Aluminum Frames & Wheels
- Gravity Hooks & Studs Both Ends
- 45° and 90° Curves
- 36" Inside Radius

OUTSIDE RADIUS	
Overall Width	Outside Radius
12"	48"
15"	51"
18"	54"
24"	60"

### Curved Sections

#### Specifications

**Width:** 12", 15", 18" and 24" OAW

**Frame:** 2-1/2" deep x 1" flange x 12 ga. Galvanized Steel or 0.112" extruded aluminum channel with bolt in cross braces.

**Couplings:** Hooks and studs on both ends of curve.

**Axes:** 1/4" dia. steel, threaded one end with locknut, spaced on 3" equivalent centers. Spacers are zinc plated steel.

**Capacity:** Same per foot capacity as straight sections.

MODEL NUMBER EXAMPLE - SKATEWHEEL CURVED						
<b>12</b>	<b>36</b>	<b>SW</b>	<b>G or A</b>	<b>S or A</b>	<b>12</b>	<b>90</b>
OVERALL CONVEYOR WIDTH	INSIDE RADIUS	CONVEYOR SERIES	G = GALVANIZED STEEL FRAME A = ALUMINUM FRAME	S = STEEL WHEEL A = ALUMINUM WHEEL	WHEELS PER FOOT	DEGREE OF CURVE

STEEL FRAME/STEEL WHEEL							
12" OVERALL WIDTH				15" OVERALL WIDTH			
MODEL #	DEGREE	WHEELS PER FT.	WEIGHT (LBS)	MODEL #	DEGREE	WHEELS PER FT.	WEIGHT (LBS)
1236SWGS1290	90	12	44	1536SWGS1290	90	12	46
1236SWGS1245	45	12	24	1536SWGS1245	45	12	25
18" OVERALL WIDTH				24" OVERALL WIDTH			
MODEL #	DEGREE	WHEELS PER FT.	WEIGHT (LBS)	MODEL #	DEGREE	WHEELS PER FT.	WEIGHT (LBS)
1836SWGS1890	90	18	56	2436SWGS2490	90	24	70
1836SWGS1845	45	18	29	2436SWGS2445	45	24	36

ALUMINUM FRAME/STEEL WHEEL							
12" OVERALL WIDTH				15" OVERALL WIDTH			
MODEL #	DEGREE	WHEELS PER FT.	WEIGHT (LBS)	MODEL #	DEGREE	WHEELS PER FT.	WEIGHT (LBS)
1236SWAS1290	90	12	33	1536SWAS1290	90	12	36
1236SWAS1245	45	12	18	1536SWAS1245	45	12	19
18" OVERALL WIDTH				24" OVERALL WIDTH			
MODEL #	DEGREE	WHEELS PER FT.	WEIGHT (LBS)	MODEL #	DEGREE	WHEELS PER FT.	WEIGHT (LBS)
1836SWAS1890	90	18	45	2436SWAS2490	90	24	58
1836SWAS1845	45	18	24	2436SWAS2445	45	24	31

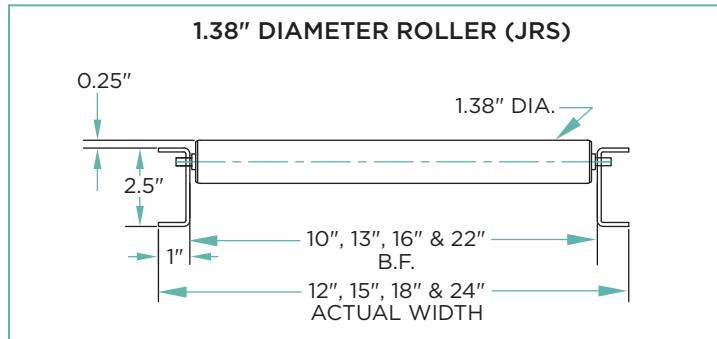
ALUMINUM FRAME/ALUMINUM WHEEL							
12" OVERALL WIDTH				15" OVERALL WIDTH			
MODEL #	DEGREE	WHEELS PER FT.	WEIGHT (LBS)	MODEL #	DEGREE	WHEELS PER FT.	WEIGHT (LBS)
1236SWAA1290	90	12	27	1536SWAA1290	90	12	29
1236SWAA1245	45	12	16	1536SWAA1245	45	12	17
18" OVERALL WIDTH				24" OVERALL WIDTH			
MODEL #	DEGREE	WHEELS PER FT.	WEIGHT (LBS)	MODEL #	DEGREE	WHEELS PER FT.	WEIGHT (LBS)
1836SWAA1890	90	18	37	2436SWAA2490	90	24	48
1836SWAA1845	45	18	19	2436SWAA2445	45	24	26

QUICK SHIP ITEM



UNEX **1.38" Diameter Roller Gravity Conveyor** is ideally suited to convey light weight packages and where operations require portable or temporary conveyor lines such as warehousing or shipping areas.

- 4 Widths
- 4 Roller Centers
- Steel or Aluminum Frames & Rollers
- Rollers Set High (for rollers set low, add angle guard rail)



### Straight Sections

#### Specifications

**Width:** 12", 15", 18" and 24" OAW

**Frame:** 2-1/2" deep x 1" flange x 12 ga. Galvanized Steel or 0.112" extruded aluminum channel with bolt in cross braces

**Couplings:** Hooks one end, studs on opposite end.

NOTE: Steel conveyor available without couplings for permanent installations - Add "SE" suffix to conveyor part number for square cut side channels.

**Lengths:** 10 ft. and 5 ft. straight sections. Special lengths available.

**Rollers:** 1-3/8" diameter x 18 gauge galvanized steel or .058 heat treated aluminum tubing. Oiled ball bearings both ends.

**Axes:** 1/4" diameter steel, spring loaded for easy installation or removal, spaced on 1-1/2", 3", 4-1/2" or 6" centers.

**Capacity:** See Load Capacity Chart.

#### MODEL NUMBER EXAMPLE - 1.38" DIAMETER ROLLER STRAIGHT

<b>12</b>	<b>JRS</b>	<b>G or A</b>	<b>S or A</b>	<b>1.5</b>	<b>x10</b>
OVERALL CONVEYOR WIDTH	CONVEYOR SERIES	G = GALVANIZED STEEL FRAME A = ALUMINUM FRAME	S = GALVANIZED STEEL ROLLER A = ALUMINUM ROLLER	ROLLER CENTERS	CONVEYOR LENGTH

#### LOAD CAPACITY CHART - 1.38" DIAMETER ROLLER

FRAME MATERIAL	SUPPORT CENTERS	FRAME CAPACITY*	ROLLER CAPACITY
STEEL	10 FT.	550 LBS.	45 LBS.
	5 FT.	2100 LBS.	
ALUMINUM	10 FT.	275 LBS.	30 LBS.
	5 FT.	1200 LBS.	

\*MAXIMUM UNIFORMLY DISTRIBUTED LOAD OVER 10 FT.

STEEL FRAME/STEEL ROLLER															
12" OVERALL WIDTH				15" OVERALL WIDTH				18" OVERALL WIDTH				24" OVERALL WIDTH			
MODEL #	ROLLER CENTERS	WEIGHT (LBS)		MODEL #	ROLLER CENTERS	WEIGHT (LBS)		MODEL #	ROLLER CENTERS	WEIGHT (LBS)		MODEL #	ROLLER CENTERS	WEIGHT (LBS)	
		10 FT.	5 FT.			10 FT.	5 FT.			10 FT.	5 FT.			10 FT.	5 FT.
12JRSGS1.5	1-1/2"	100	50	15JRSGS1.5	1-1/2"	119	60	18JRSGS1.5	1-1/2"	137	69	24JRSGS1.5	1-1/2"	173	87
12JRSGS30	3"	66	33	15JRSGS30	3"	76	38	18JRSGS30	3"	85	43	24JRSGS30	3"	104	53
12JRSGS4.5	4-1/2"	55	27	15JRSGS4.5	4-1/2"	62	31	18JRSGS4.5	4-1/2"	68	34	24JRSGS4.5	4-1/2"	82	41
12JRSGS60	6"	49	25	15JRSGS60	6"	55	28	18JRSGS60	6"	65	32	24JRSGS60	6"	77	40

ALUMINUM FRAME/ALUMINUM ROLLER															
12" OVERALL WIDTH				15" OVERALL WIDTH				18" OVERALL WIDTH				24" OVERALL WIDTH			
MODEL #	ROLLER CENTERS	WEIGHT (LBS)		MODEL #	ROLLER CENTERS	WEIGHT (LBS)		MODEL #	ROLLER CENTERS	WEIGHT (LBS)		MODEL #	ROLLER CENTERS	WEIGHT (LBS)	
		10 FT.	5 FT.			10 FT.	5 FT.			10 FT.	5 FT.			10 FT.	5 FT.
12JRSA1.5	1-1/2"	55	28	15JRSA1.5	1-1/2"	65	33	18JRSA1.5	1-1/2"	74	38	24JRSA1.5	1-1/2"	92	47
12JRSA30	3"	35	18	15JRSA30	3"	40	21	18JRSA30	3"	45	23	24JRSA30	3"	55	29
12JRSA4.5	4-1/2"	29	15	15JRSA4.5	4-1/2"	33	17	18JRSA4.5	4-1/2"	36	18	24JRSA4.5	4-1/2"	43	22
12JRSA60	6"	27	14	15JRSA60	6"	29	16	18JRSA60	6"	33	18	24JRSA60	6"	41	20

QUICK SHIP ITEM



**1.38" Diameter Roller (JRS) Curves** are compatible with straight sections, allowing flexibility on conveyor lines. Optional guard rail may be added for product protection.

- 4 Widths
- Steel or Aluminum Frames & Rollers
- Gravity Hooks & Studs Both Ends
- 45° and 90° Curves
- 36" Inside Radius

**Curved Sections**

**Specifications**

**Width:** 12", 15", 18" and 24" OAW

**Frame:** 2-1/2" deep x 1" flange x 12 ga. Galvanized Steel or 0.112" extruded aluminum channel with bolt in cross braces.

**Couplings:** Hooks and studs on both ends of curve.

**Rollers:** 1-3/8" diameter x 18 gauge galvanized steel or .058 heat treated aluminum tubing. Oiled ball bearings both ends.

**Axles:** 1/4" dia. steel spring loaded for easy installation or removal, spaced on 1-1/2" or 3" equivalent centers.

**Capacity:** Same per foot capacity as straight sections.

OUTSIDE RADIUS	
Overall Width	Outside Radius
12"	48"
15"	51"
18"	54"
24"	60"

MODEL NUMBER EXAMPLE - 1.38" DIAMETER ROLLER CURVED						
12	36	JRS	G or A	S or A	1.5	90
OVERALL CONVEYOR WIDTH	INSIDE RADIUS	CONVEYOR SERIES	G = GALVANIZED STEEL FRAME A = ALUMINUM FRAME	S = STEEL ROLLER A = ALUMINUM ROLLER	ROLLER CENTERS	DEGREE OF CURVE

STEEL FRAME/STEEL ROLLER							
12" OVERALL WIDTH				15" OVERALL WIDTH			
MODEL #	DEGREE	ROLLER CENTERS	WEIGHT (LBS)	MODEL #	DEGREE	ROLLER CENTERS	WEIGHT (LBS)
1236JRSGS1.590	90	1-1/2"	67	1536JRSGS1.590	90	1-1/2"	81
1236JRSGS2.12590	90	3"	45	1536JRSGS2.12590	90	3"	53
1236JRSGS1.545	45	1-1/2"	34	1536JRSGS1.545	45	1-1/2"	41
1236JRSGS1.545	45	3"	24	1536JRSGS2.12545	45	3"	28
18" OVERALL WIDTH				24" OVERALL WIDTH			
MODEL #	DEGREE	ROLLER CENTERS	WEIGHT (LBS)	MODEL #	DEGREE	ROLLER CENTERS	WEIGHT (LBS)
1836JRSGS1.590	90	1-1/2"	93	2436JRSGS1.590	90	1-1/2"	120
1836JRSGS2.12590	90	3"	60	2436JRSGS2.12590	90	3"	75
1836JRSGS1.545	45	1-1/2"	51	2436JRSGS1.545	45	1-1/2"	60
1836JRSGS2.12545	45	3"	36	2436JRSGS2.12545	45	3"	39

ALUMINUM FRAME/ALUMINUM ROLLER							
12" OVERALL WIDTH				15" OVERALL WIDTH			
MODEL #	DEGREE	ROLLER CENTERS	WEIGHT (LBS)	MODEL #	DEGREE	ROLLER CENTERS	WEIGHT (LBS)
1236JRSA1.590	90	1-1/2"	41	1536JRSA1.590	90	1-1/2"	48
1236JRSA2.12590	90	3"	28	1536JRSA2.12590	90	3"	32
1236JRSA1.545	45	1-1/2"	21	1536JRSA1.545	45	1-1/2"	24
1236JRSA1.545	45	3"	15	1536JRSA2.12545	45	3"	17
18" OVERALL WIDTH				24" OVERALL WIDTH			
MODEL #	DEGREE	ROLLER CENTERS	WEIGHT (LBS)	MODEL #	DEGREE	ROLLER CENTERS	WEIGHT (LBS)
1836JRSA1.590	90	1-1/2"	54	2436JRSA1.590	90	1-1/2"	66
1836JRSA2.12590	90	3"	36	2436JRSA2.12590	90	3"	43
1836JRSA1.545	45	1-1/2"	27	2436JRSA1.545	45	1-1/2"	34
1836JRSA2.12545	45	3"	19	2436JRSA2.12545	45	3"	23

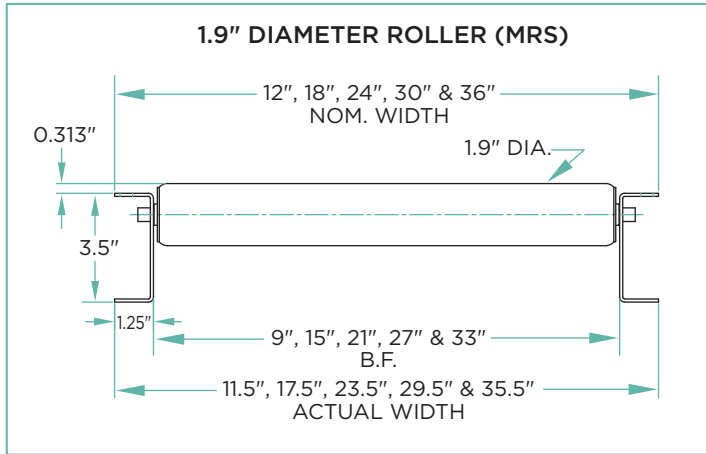
QUICK SHIP ITEM



### 1.9" Diameter Roller Gravity Conveyor

is used to convey medium weight packages in permanent installations.

- Rollers set high (for rollers set low, add angle guard rail)



LOAD CAPACITY CHART - 1.9" DIAMETER ROLLER		
SUPPORT CENTERS	FRAME CAPACITY*	ROLLER CAPACITY MAXIMUM LOAD PER ROLLER
10 FT.	1000 LBS.	170 LBS.
5 FT.	4000 LBS.	

\*MAXIMUM UNIFORMLY DISTRIBUTED LOAD OVER 10 FT.

### Straight Sections

#### Specifications

**Width:** 12", 18", 24", 30" and 36" nominal OAW. Actual OA Width is 1/2" less.

**Frame:** 3-1/2" deep x 1-1/4" flange x 12 gauge galvanized steel channel with bolt in cross braces

**Couplings:** Optional bolt-in butt couplers.

**Lengths:** 10 ft. and 5 ft. straight sections. Special lengths available.

**Rollers:** 1.9" diameter x 16 gauge galvanized steel tubing. Oiled ball bearings both ends.

**Axles:** 7/16" hex steel, spring loaded for easy installation or removal on 3", 4-1/2" or 6" centers.

**Capacity:** See Load Capacity Chart.

MODEL NUMBER EXAMPLE - 1.9" DIAMETER ROLLER STRAIGHT				
<b>12</b>	<b>MRS</b>	<b>G</b>	<b>4.5</b>	<b>x10</b>
OVERALL CONVEYOR WIDTH	CONVEYOR SERIES	GALVANIZED STEEL FRAME AND ROLLERS	ROLLER CENTERS	CONVEYOR LENGTH

1.9" DIAMETER ROLLER (MRS)					
OVERALL WIDTH (NOMINAL)*	BETWEEN FRAME WIDTH	MODEL #	ROLLER CENTERS	WEIGHT (LBS) 10 FT.	WEIGHT (LBS) 5 FT.
12"	9"	12MRSG30	3"	114	58
		12MRSG4.5	4-1/2"	92	46
		12MRSG60	6"	80	40
18"	15"	18MRSG30	3"	155	79
		18MRSG4.5	4-1/2"	121	60
		18MRSG60	6"	102	52
24"	21"	24MRSG30	3"	196	99
		24MRSG4.5	4-1/2"	149	74
		24MRSG60	6"	124	64
30"	27"	30MRSG30	3"	231	117
		30MRSG4.5	4-1/2"	175	87
		30MRSG60	6"	144	74
36"	33"	36MRSG30	3"	278	141
		36MRSG4.5	4-1/2"	207	103
		36MRSG60	6"	291	74

\*NOTE: Actual width is 1/2" less than nominal.







**1.9" Diameter Roller Gravity Conveyor (MRS) Curves** are compatible with straight sections, allowing flexibility to conveyor lines. Optional guard rail may be added for product protection.

- 28-3/4" inside radius

**Curved Sections**

**Specifications**

**Width:** 12", 18", 24", 30" and 36" nominal OAW. Actual is 1/2" less.

**Frame:** 3-1/2" deep x 1-1/4" flange x 12 gauge galvanized steel channel with bolt in cross braces.

**Couplings:** Optional bolt-in butt couplers.

**Curves:** 90° and 45° with 28-3/4" inside radius.

**Rollers:** 1.9" diameter x 16 gauge galvanized steel tubing. Oiled ball bearings both ends.

**Axles:** 7/16" hex steel, spring loaded for easy installation or removal, spaced on 3" or 6" centers.

**Capacity:** Same per foot capacity as straight sections.

OUTSIDE RADIUS	
Overall Width	Outside Radius
12"	40-1/4"
18"	46-1/4"
24"	52-1/4"
30"	58-1/4"
36"	64-1/4"

MODEL NUMBER EXAMPLE - 1.9" DIAMETER ROLLER CURVED					
<b>12</b>	<b>30</b>	<b>MRS</b>	<b>G</b>	<b>30</b>	<b>90</b>
OVERALL CONVEYOR WIDTH	INSIDE RADIUS	CONVEYOR SERIES	GALVANIZED STEEL FRAME AND ROLLERS	ROLLER CENTERS	CONVEYOR LENGTH

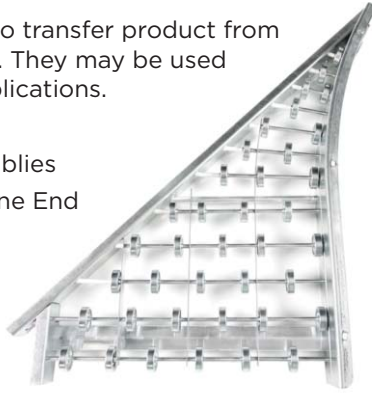
1.9" DIAMETER ROLLER (MRS) CURVED					
OVERALL WIDTH (NOMINAL)*	BETWEEN FRAME WIDTH	MODEL #	DEGREE	ROLLER CENTERS	WEIGHT (LBS)
12"	9"	1230MRSG3090	90	3"	61
		1230MRSG6090		6"	44
		1230MRSG3045	45	3"	30
		1230MRSG6045		6"	23
18"	15"	1830MRSG3090	90	3"	85
		1830MRSG6090		6"	58
		1830MRSG3045	45	3"	42
		1830MRSG6045		6"	31
24"	21"	2430MRSG3090	90	3"	107
		2430MRSG6090		6"	71
		2430MRSG3045	45	3"	54
		2430MRSG6045		6"	40
30"	27"	3030MRSG3090	90	3"	130
		3030MRSG6090		6"	85
		3030MRSG3045	45	3"	64
		3030MRSG6045		6"	46
36"	33"	3630MRSG3090	90	3"	159
		3630MRSG6090		6"	105
		3630MRSG3045	45	3"	79
		3630MRSG6045		6"	57

\*NOTE: Actual width is 1/2" less than nominal.

QUICK SHIP ITEM

**Skatewheel Spurs** are used to transfer product from one conveyor line to another. They may be used for merging or diverging applications.

- 4 Widths
- Right & Left Hand Assemblies
- Gravity Hooks & Studs One End
- 45° and 90° Spurs



### Specifications

**Width:** 12", 15", 18" and 24" OAW

**Frame:** 2-1/2" deep x 1" flange x 12 ga. Galvanized Steel with bolt in cross braces.

**Couplings:** Hooks and studs on one end, nesting channel on opposite end.

**Spurs:** 90° and 45° with 33" inside radius. Left or Right Hand, specify.

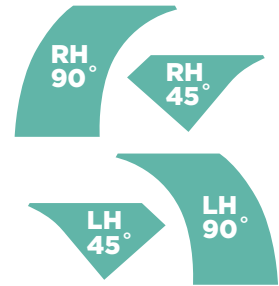
**Wheels:** 1-15/16" diameter with ball bearings in hardened raceway. Zinc plated steel.

**Axles:** 1/4" dia. steel, threaded one end with locknut, spaced on 3" equivalent centers. Spacers are zinc plated steel.

**Capacity:** Same per foot capacity as straight sections.

MODEL NUMBER EXAMPLE - SKATEWHEEL SPUR						
<b>12</b>	<b>33</b>	<b>SW</b>	<b>SP</b>	<b>12</b>	<b>90</b>	<b>R or L</b>
OVERALL CONVEYOR WIDTH	INSIDE RADIUS	CONVEYOR SERIES	SPUR	WHEELS PER FOOT	DEGREE OF SPUR	RIGHT OR LEFT HAND

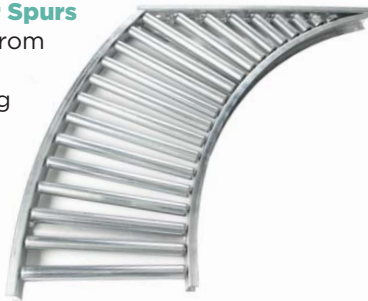
SKATEWHEEL SPURS						
OVERALL WIDTH	90 DEGREE SPUR			45 DEGREE SPUR		
	MODEL#	WHEELS PER FOOT	WEIGHT (LBS)	MODEL #	WHEELS PER FOOT	WEIGHT (LBS)
12"	1233SWSP1290 (L or R)	12	30	1233SWSP1245 (L or R)	12	23
15"	1533SWSP1690 (L or R)	16	31	1533SWSP1645 (L or R)	16	24
18"	1833SWSP1890 (L or R)	18	37	1833SWSP1845 (L or R)	18	28
24"	2433SWSP2490 (L or R)	24	42	2433SWSP2445 (L or R)	24	32



### 1.38" Diameter Gravity Roller Spurs

are used to transfer product from one conveyor line to another. They may be used for merging or diverging applications.

- 4 Widths
- Right & Left Hand Assemblies
- Gravity Hooks & Studs One End
- 45° and 90° Spurs



### Specifications

**Width:** 12", 15", 18" and 24" OAW

**Frame:** 2-1/2" deep x 1" flange x 12 gauge galvanized steel channel with bolt in cross braces.

**Couplings:** Hooks and stud on one end, nesting channel on opposite end.

**Spurs:** 90° and 45° with 36" inside radius. Left or Right Hand, specify.

**Rollers:** 1-3/8" diameter x 18 gauge galvanized steel tubing. Oil ball bearings both ends.

**Axles:** 1/4" diameter steel, spring loaded for easy installation or removal, spaced on 3" equivalent centers.

**Capacity:** Same per foot capacity as straight sections.

MODEL NUMBER EXAMPLE - 1.38" DIAMETER ROLLER SPUR						
<b>12</b>	<b>36</b>	<b>JRS</b>	<b>P</b>	<b>2.12</b>	<b>90</b>	<b>R or L</b>
OVERALL CONVEYOR WIDTH	INSIDE RADIUS	CONVEYOR SERIES	SPUR	ROLLER CENTERS	DEGREE OF SPUR	RIGHT OR LEFT HAND

1.38" DIAMETER ROLLER SPURS (JRS)						
OVERALL WIDTH	90 DEGREE SPUR			45 DEGREE SPUR		
	MODEL#	ROLLER CENTERS	WEIGHT (LBS)	MODEL #	ROLLER CENTERS	WEIGHT (LBS)
12"	1236JRSP2.1290 (L or R)	3"	45	1236JRSP2.1245 (L or R)	3"	30
15"	1536JRSP2.1290 (L or R)	3"	55	1536JRSP2.1245 (L or R)	3"	36
18"	1836JRSP2.1290 (L or R)	3"	66	1836JRSP2.1245 (L or R)	3"	42
24"	2436JRSP2.1290 (L or R)	3"	87	2436JRSP2.1245 (L or R)	3"	54



Spring assisted gate



**Gravity Gates** are available for SW, JRS and MRS series conveyor. They provide a means for personnel or equipment to pass through your conveyor line. Gates are spring assisted. Gate springs are adjustable to provide minimal weight when lifting.

**Spring Assisted Gate**

**For skatewheel (SW) conveyor & 1.38" diameter roller (JRS)**

- 4 Widths - 12", 15", 18", 24" OAW
- 3 ft., 4 ft. or 5 ft. lengths
- Steel or Aluminum frames, skatewheels and rollers
- 2-1/2" x 1" channel frame - 12 gauge galvanized steel or .112" extruded aluminum

**For 1.9" diameter roller (MRS)**

- 5 widths - 12", 18", 24", 30", 36" OAW
- 3 ft., 4 ft. or 5 ft. lengths
- Galvanized steel frames and rollers
- 3-1/2" x 1-1/4" x 12 ga. galvanized steel frame

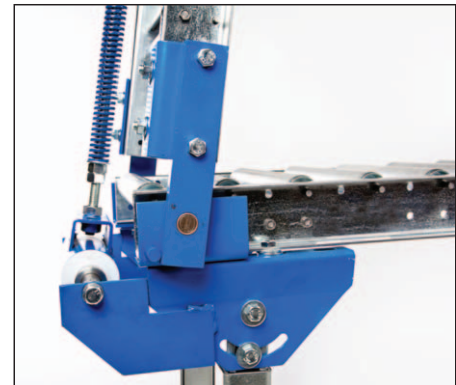


FOR USE WITH JRS & SW, SPRING ASSIST		
OA CONVEYOR WIDTH	GATE HINGE KIT	
	PART #	WEIGHT (LBS)
12"	T2G12JRS/SW	39
15"	T2G15JRS/SW	41
18"	T2G18JRS/SW	42
24"	T2G24JRS/SW	45

FOR USE WITH MRS, SPRING ASSIST		
OA CONVEYOR WIDTH	GATE HINGE KIT	
	PART #	WEIGHT (LBS)
12"	T2G12MRS	40
18"	T2G18MRS	43
24"	T2G24MRS	46
30"	T2G30MRS	49
36"	T2G36MRS	52

NOTES:

1. Infeed section must be a minimum of 12" long and supports must be lagged to floor.
2. Gate part numbers are for hinge assemblies only and do not include conveyor section.



### “H” Type Permanent Floor Supports - “CS” Series

For use with skatewheel (SW) or 1.38” diameter roller conveyor (JRS)

- Top bracket adjustable for pitch, boots for leveling with holes for lagging to floor.
- Formed 12 gauge galvanized steel construction.
- Supports shipped knocked down.
- Single leg outboard support for use on outside radius of 90° curves.

Note: Add 2-3/4” to support height for top of conveyor height.

“H” TYPE PERMANENT FLOOR SUPPORTS - “CS” SERIES										
SUPPORT MODEL #	SUPPORT HEIGHT		WEIGHT (LBS) OA CONVEYOR WIDTH					OUTBOARD SUPPORT MODEL #	WEIGHT (LBS)	
	MIN.	MAX.	12”	15”	18”	24”	30”			
CS511	5”	11”	6.4	6.4	6.4	6.4	6.4	SCS511	3.2	
CS1115	11”	15”	9.7	10	10.3	11	11.6	SCS1115	3.7	
CS1523	15”	23”	12.1	12.5	12.8	13.4	14.1	SCS1523	4.9	
CS2338	23”	38”	17.1	17.5	17.8	18.4	19	SCS2338	7.4	
CS3853	38”	53”	22.2	22.9	23.5	24.8	26.1	SCS3853	9.2	
CS5368	53”	68”	25.8	26.5	27.1	28.4	29.7	SCS5368	11	



**MODEL NUMBER - CS SERIES SUPPORT**

**CS** SUPPORT SERIES

**2338** HEIGHT ADJUSTMENT

**12** OA CONVEYOR WIDTH

### “H” Type Permanent Floor Supports - “MCS” Series

For use with 1.9” diameter roller conveyor (MRS)

- Top bracket adjustable for pitch, boots for leveling with holes for lagging to floor.
- Formed 12 gauge galvanized steel construction.
- Supports shipped knocked down.
- Single leg outboard support for use on outside radius of 90° curves.

Note: Add 3-3/4” to support height for top of conveyor height.

“H” TYPE PERMANENT FLOOR SUPPORTS - “MCS” SERIES										
SUPPORT MODEL #	SUPPORT HEIGHT		WEIGHT (LBS) OA CONVEYOR WIDTH					OUTBOARD SUPPORT MODEL #	WEIGHT (LBS)	
	MIN.	MAX.	12”	18”	24”	30”	36”			
CS511	5”	11”	6.4	6.4	6.4	6.4	6.4	SCS511	3.2	
MCS1115	11”	15”	9.7	10.3	11	11.6	12.2	SCS1115	3.7	
MCS1523	15”	23”	12.1	12.8	13.4	14.1	14.7	SCS1523	4.9	
MCS2338	23”	38”	17.1	17.8	18.4	19	19.7	SCS2338	7.4	
MCS3853	38”	53”	22.2	23.5	24.8	26.1	27.3	SCS3853	9.2	
MCS5368	53”	68”	25.8	27.1	28.4	29.7	31	SCS5368	11	



**MODEL NUMBER - MCS SERIES SUPPORT**

**MCS** SUPPORT SERIES

**2338** HEIGHT ADJUSTMENT

**12** OA CONVEYOR WIDTH



Caster option  
Contact factory

### Portable Tripod Supports

For use with skatewheel (SW) or 1.38” diameter roller conveyor (JRS)

- Welded tubular construction with hand key adjustment locking.

Note: Add 2” to support height for top of conveyor height.

Option: Portable support available with 3” diameter swivel casters with wheel brake. (Adds 4” to support height)

PORTABLE TRIPOD SUPPORTS				
MODEL #	WIDTH	SUPPORT		WEIGHT (LBS)
		MIN.	MAX.	
T142412	12”	14”	24”	6
T244212	12”	24”	42”	11
T305012	12”	30”	50”	11
T427812	12”	42”	78”	17
T142415	15”	14”	24”	6
T244215	15”	24”	42”	11
T305015	15”	30”	50”	12
T427815	15”	42”	78”	17
T142418	18”	14”	24”	7
T244218	18”	24”	42”	11
T305018	18”	30”	50”	12
T427818	18”	42”	78”	17
T142424	24”	14”	24”	7
T244224	24”	24”	42”	11
T305024	24”	30”	50”	12
T427824	24”	42”	78”	17



**MODEL NUMBER - PORTABLE TRIPOD SUPPORT**

**T** SUPPORT SERIES

**3050** HEIGHT ADJUSTMENT

**12** OA CONVEYOR WIDTH



QUICK SHIP ITEM

PACKAGE STOP		
OA CONVEYOR WIDTH	"A" WIDTH	MODEL #
12"	9-1/2"	12SSG
15"	12-1/2"	15SSG
18"	15-1/2"	18SSG
24"	21-1/2"	24SSG



### Stops

#### Package Stop

"Dead" type package stops are simply placed on skatewheel (SW) or 1.38" (JRS) conveyor sections. NOTE: Not for use with JRS series conveyor with rollers on 1-1/2" centers.

SW/JRS ANGLE STOP		
OA CONVEYOR WIDTH	ANGLE SIZE	MODEL #
12"	1-1/4" X 1-1/4"	12FAES-JRS
15"	X 10 GAUGE	15FAES-JRS
18"	GALV. STEEL	18FAES-JRS
24"		24FAES-JRS



#### Fixed Angle End Stop

Angle end stop mounts to end of conveyor and bolts to top flange of conveyor side channels. Available in all standard conveyor widths.

MRS ANGLE STOP		
OA CONVEYOR WIDTH	ANGLE SIZE	MODEL #
12"		12FAES-MRS
18"	1-1/4" X 1-1/4"	18FAES-MRS
24"	X 10 GAUGE	24FAES-MRS
30"	GALV. STEEL	30FAES-MRS
36"		36FAES-MRS



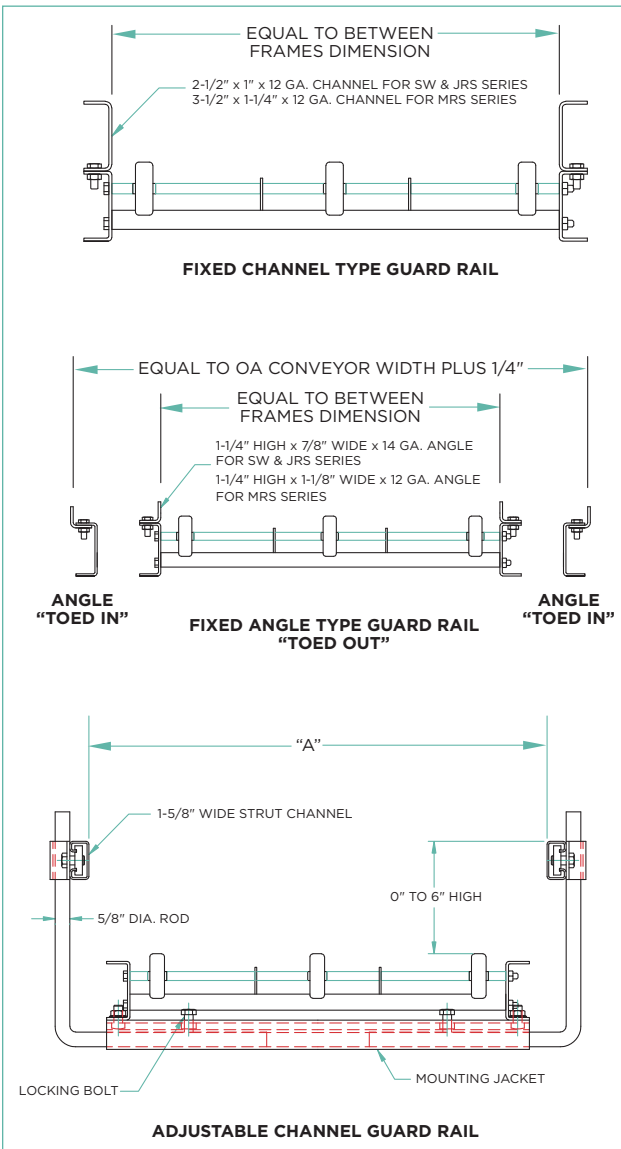
#### Roller Stop

Roller stops allow for loads to be supported while pulling product from end of conveyor section

**Model # RRSTOPJRS for SW and JRS series conveyor**

**Model # RRSTOPMRS for MRS series conveyor**

Note: kit uses a roller from conveyor section



### Guard Rail

For use with SW, JRS and MRS series conveyor

- All guard rail available for straight and curved sections.
- All guard rail available for one or both sides
- All guard rail is shipped loose for field mounting
- Fixed angle guard can be toed in or out



Adjustable Guard Rail



Fixed Angle Guard Rail

To order guard rail, please consult the factory.

INSIDE CLEARANCE RANGE FOR ADJUSTABLE GUARD RAIL			
OA WIDTH SW/JRS	"A" ADJUSTMENT	OA WIDTH MRS	"A" ADJUSTMENT
12"	11-1/2" TO 17-1/2"	12" (11-1/2" ACTUAL)	11" TO 18"
15"	14-1/2" TO 20-1/2"	18" (17-1/2" ACTUAL)	17" TO 29"
18"	17-1/2" TO 29-1/2"	24" (23-1/2" ACTUAL)	23" TO 35"
24"	23-1/2" TO 35-1/2"	30" (29-1/2" ACTUAL)	29" TO 41"
		36" (35-1/2" ACTUAL)	35" TO 47"

NOTE: If using fixed angle or channel style guard rail with a fixed angle end stop, order the guard rail 1-1/4" shorter per end stop.



UNEX **Ball Transfer Tables** are a multidirectional material handling solution that helps position material precisely. Ball transfers are also useful for making tight turns when curves aren't an option.

### Ball Transfer Table uses:

- When products are required to be manually rotated or positioned - without lifting
- Ideal for workstations or transferring from 2 adjacent conveyor lines
- Can be used for tight 90 degree turns (in place of curved sections)
- Can also be used as turntables

### Features:

- 9 standard conveyor widths
- 3 ball centers
- Galvanized steel side frames
- Balls set high (for set low - add angle guard rail)

### Specifications

#### Light Duty - JRS & SW Series

**Widths:** 12", 15", 18" & 24" wide.

**Frame:** 2-1/2" deep x 1" flange x 12 gauge galvanized steel channel with bolt in cross braces.

- Also available as "drop-in" style to replace rollers in UNEX SW or JRS gravity conveyor

#### Medium Duty - MRS Series

**Widths:** 12", 18", 24" 30" & 36" wide. (actual OAW is 1/2" less)

**Frame:** 3-1/2" deep x 1-1/4" flange x 12 gauge galvanized steel channel with bolt in cross braces.

- Also available as "drop-in" style to replace rollers in UNEX MRS gravity conveyor

**Lengths:** 1 ft. to 3 ft. in 6" increments.

Special lengths up to 10 ft. available.

**Balls:** 1" dia. carbon steel ball in zinc plated housing - 1/4-20NC stud mount - set high in frame to match roller height.

**Capacity:** 50 lbs. per ball. Frame capacities are same as conveyor straight sections.

**Ball Pattern:** Available on 2", 3" and 4" cc square pattern.

Note: A minimum of 9 balls are required to support product.

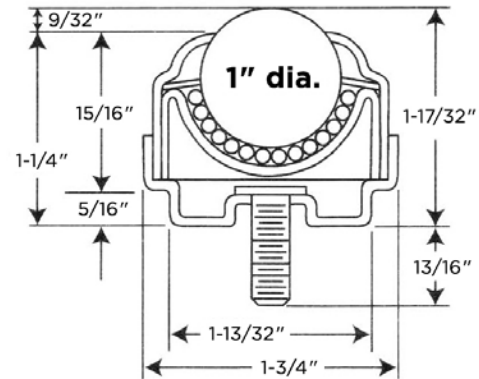
#### MODEL NUMBER EXAMPLE - BALL TRANSFER

<b>12</b>	<b>BT</b>	<b>DI</b>	<b>JRS</b>	<b>2</b>	<b>x3</b>
CONVEYOR WIDTH	BALL TRANSFER (IF REQUIRED)	DROP IN	MATCHING CONVEYOR SERIES	BALL CENTERS	CONVEYOR LENGTH

LIGHT DUTY JRS					
12" OVERALL WIDTH					
MODEL #	BALL CENTERS	WEIGHT (LBS)			
		1'-6" LG	2'-0" LG	2'-6" LG	3'-0" LG
12BTJRS2X	2"	29.3	39.1	48.9	58.6
12BTJRS3X	3"	19.6	26.2	32.7	39.2
12BTJRS4X	4"		24		36
15" OVERALL WIDTH					
MODEL #	BALL CENTERS	WEIGHT (LBS)			
		1'-6" LG	2'-0" LG	2'-6" LG	3'-0" LG
15BTJRS2X	2"	36.8	49.1	61.3	73.6
15BTJRS3X	3"	24	32	40	48
15BTJRS4X	4"		26.9		40.4
18" OVERALL WIDTH					
MODEL #	BALL CENTERS	WEIGHT (LBS)			
		1'-6" LG	2'-0" LG	2'-6" LG	3'-0" LG
18BTJRS2X	2"	43.4	57.8	72.3	86.6
18BTJRS3X	3"	28.3	37.7	47.1	56.6
18BTJRS4X	4"		28.4		42.6
24" OVERALL WIDTH					
MODEL #	BALL CENTERS	WEIGHT (LBS)			
		1'-6" LG	2'-0" LG	2'-6" LG	3'-0" LG
24BTJRS2X	2"	57.4	76.4	95.5	114.8
24BTJRS3X	3"	36.9	49.1	61.4	73.8
24BTJRS4X	4"		31.5		47.3

LIGHT DUTY SW					
12" OVERALL WIDTH					
MODEL #	BALL CENTERS	WEIGHT (LBS)			
		1'-6" LG	2'-0" LG	2'-6" LG	3'-0" LG
12BTSW2X	2"	29.3	39.1	48.9	58.6
12BTSW3X	3"	19.6	26.2	32.7	39.2
12BTSW4X	4"		24		36
15" OVERALL WIDTH					
MODEL #	BALL CENTERS	WEIGHT (LBS)			
		1'-6" LG	2'-0" LG	2'-6" LG	3'-0" LG
15BTSW2X	2"	36.8	49.1	61.3	73.6
15BTSW3X	3"	24	32	40	48
15BTSW4X	4"		26.9		40.4
18" OVERALL WIDTH					
MODEL #	BALL CENTERS	WEIGHT (LBS)			
		1'-6" LG	2'-0" LG	2'-6" LG	3'-0" LG
18BTSW2X	2"	43.4	57.8	72.3	86.6
18BTSW3X	3"	28.3	37.7	47.1	56.6
18BTSW4X	4"		28.4		42.6
24" OVERALL WIDTH					
MODEL #	BALL CENTERS	WEIGHT (LBS)			
		1'-6" LG	2'-0" LG	2'-6" LG	3'-0" LG
24BTSW2X	2"	57.4	76.4	95.5	114.8
24BTSW3X	3"	36.9	49.1	61.4	73.8
24BTSW4X	4"		31.5		47.3

LIGHT DUTY JRS/SW DROP IN			
10" BETWEEN FRAMES (FOR 12" WIDE)			
MODEL #	BALL CENTERS	WEIGHT (LBS)	
		1'-0" LG	1'-6" LG
10BTDI-JRSSW2X	2"	16.7	25.1
10BTDI-JR/SWS3X	3"	10.2	15.3
10BTDI-JRS/SW4X	4"	9.1	
13" BETWEEN FRAMES (FOR 15" WIDE)			
MODEL #	BALL CENTERS	WEIGHT (LBS)	
		1'-0" LG	1'-6" LG
13BTDI-JRSSW2X	2"	20.3	30.5
13BTDI-JR/SWS3X	3"	13.1	19.7
13BTDI-JRS/SW4X	4"	10.6	
16" BETWEEN FRAMES (FOR 18" WIDE)			
MODEL #	BALL CENTERS	WEIGHT (LBS)	
		1'-0" LG	1'-6" LG
16BTDI-JRSSW2X	2"	26.1	39.1
16BTDI-JR/SWS3X	3"	16	24
16BTDI-JRS/SW4X	4"	13.1	
22" BETWEEN FRAMES (FOR 24" WIDE)			
MODEL #	BALL CENTERS	WEIGHT (LBS)	
		1'-0" LG	1'-6" LG
22BTDI-JRSSW2X	2"	35.4	53.2
22BTDI-JR/SWS3X	3"	21.8	32.6
22BTDI-JRS/SW4X	4"	18.2	



Ball Transfer Detail

LOAD CAPACITY CHART - BALL TRANSFER			
CONVEYOR SERIES	SUPPORT CENTERS	FRAME CAPACITY	BALL CAPACITY
		MAXIMUM UNIFORMLY DISTRIBUTED LOAD	MAXIMUM LOAD PER BALL
SW/JRS	10 FT.	550 LBS.	50 LBS.
	5 FT.	2100 LBS.	
MRS	10 FT.	1000 LBS.	50 LBS.
	5 FT.	4000 LBS.	

MEDIUM DUTY MRS					
12" OVERALL WIDTH					
MODEL #	BALL CENTERS	WEIGHT (LBS)			
		1'-6" LG	2'-0" LG	2'-6" LG	3'-0" LG
12BTMRS2X	2"	29	38.6	48.3	58
12BTMRS3X	3"	22.6	28.8	36	43.2
12BTMRS4X	4"	24.7			37
18" OVERALL WIDTH					
MODEL #	BALL CENTERS	WEIGHT (LBS)			
		1'-6" LG	2'-0" LG	2'-6" LG	3'-0" LG
18BTMRS2X	2"	44.4	59.2	74	88.8
18BTMRS3X	3"	32.5	43.3	54.1	65
18BTMRS4X	4"	37.6			56.3
24" OVERALL WIDTH					
MODEL #	BALL CENTERS	WEIGHT (LBS)			
		1'-6" LG	2'-0" LG	2'-6" LG	3'-0" LG
24BTMRS2X	2"	59.7	79.5	99.4	119.4
24BTMRS3X	3"	42.4	56.5	70.6	84.8
24BTMRS4X	4"	47			70.5
30" OVERALL WIDTH					
MODEL #	BALL CENTERS	WEIGHT (LBS)			
		1'-6" LG	2'-0" LG	2'-6" LG	3'-0" LG
30BTMRS2X	2"	75	100	125	150
30BTMRS3X	3"	52.4	69.8	87.2	104.8
30BTMRS4X	4"	59			88.5
36" OVERALL WIDTH					
MODEL #	BALL CENTERS	WEIGHT (LBS)			
		1'-6" LG	2'-0" LG	2'-6" LG	3'-0" LG
36BTMRS2X	2"	90.4	120.4	150.1	180.8
36BTMRS3X	3"	62.3	83	103.8	124.6
36BTMRS4X	4"	68.7			103.1

MEDIUM DUTY MRS DROP IN			
9" BETWEEN FRAMES (FOR 12" WIDE)			
MODEL #	BALL CENTERS	WEIGHT (LBS)	
		1'-0" LG	1'-6" LG
9BTDI-MRS2X	2"	15.4	23
9BTDI-MRS3X	3"	11	16.6
9BTDI-MRS4X	4"	8.9	
15" BETWEEN FRAMES (FOR 18" WIDE)			
MODEL #	BALL CENTERS	WEIGHT (LBS)	
		1'-0" LG	1'-6" LG
15BTDI-MRS2X	2"	25.6	38.4
15BTDI-MRS3X	3"	17.7	26.5
15BTDI-MRS4X	4"	14.8	
21" BETWEEN FRAMES (FOR 24" WIDE)			
MODEL #	BALL CENTERS	WEIGHT (LBS)	
		1'-0" LG	1'-6" LG
21BTDI-MRS2X	2"	35.8	53.7
21BTDI-MRS3X	3"	24.3	36.5
21BTDI-MRS4X	4"	19.6	
27" BETWEEN FRAMES (FOR 30" WIDE)			
MODEL #	BALL CENTERS	WEIGHT (LBS)	
		1'-0" LG	1'-6" LG
27BTDI-MRS2X	2"	46.1	69.1
27BTDI-MRS3X	3"	30.9	46.4
27BTDI-MRS4X	4"	25.5	
33" BETWEEN FRAMES (FOR 36" WIDE)			
MODEL #	BALL CENTERS	WEIGHT (LBS)	
		1'-0" LG	1'-6" LG
33BTDI-MRS2X	2"	56.3	84.4
33BTDI-MRS3X	3"	37.6	56.3
33BTDI-MRS4X	4"	30.4	

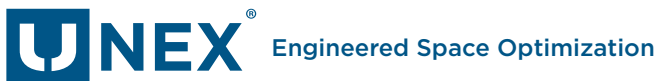


### **CUSTOM CAPABILITY**

UNEX has the ability to provide custom variations of our products.

Special lengths, widths, roller centers, wheel patterns or modified standards can be provided to meet requirements of your particular applications.

Contact the UNEX factory for more information or to discuss specific needs.



**UNEX MANUFACTURING, INC.** | 691 New Hampshire Avenue, Lakewood, NJ 08701  
**800.334.UNEX (8639)** | e-mail: [span@unex.com](mailto:span@unex.com)

© UNEX 2020



LIT-PROD-007

