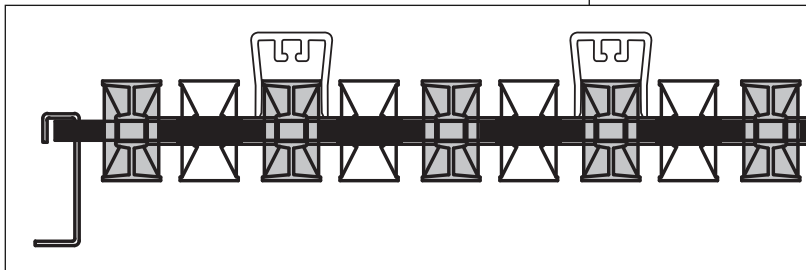
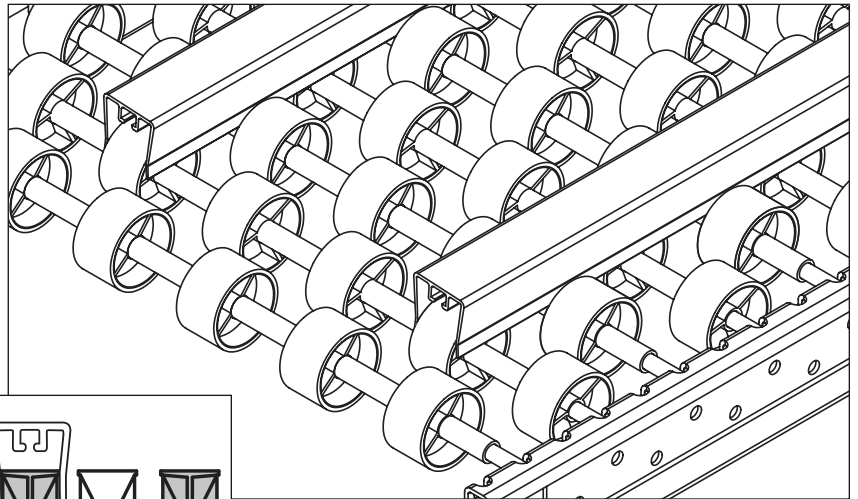


Suggested configuration

- 1** Guide rail securely snaps on over wheels.



### For Best Results:

When installing guide rail on lower levels, ensure the guide rail is inset from the edge of the charge end. This will make it easier for loaders to lift and place boxes into the desired lane.

When installing guide rail on higher levels, ensure the end of the guide rail is visible at the edge of the charge end. This will provide the loader a visual cue of where to place the box.

