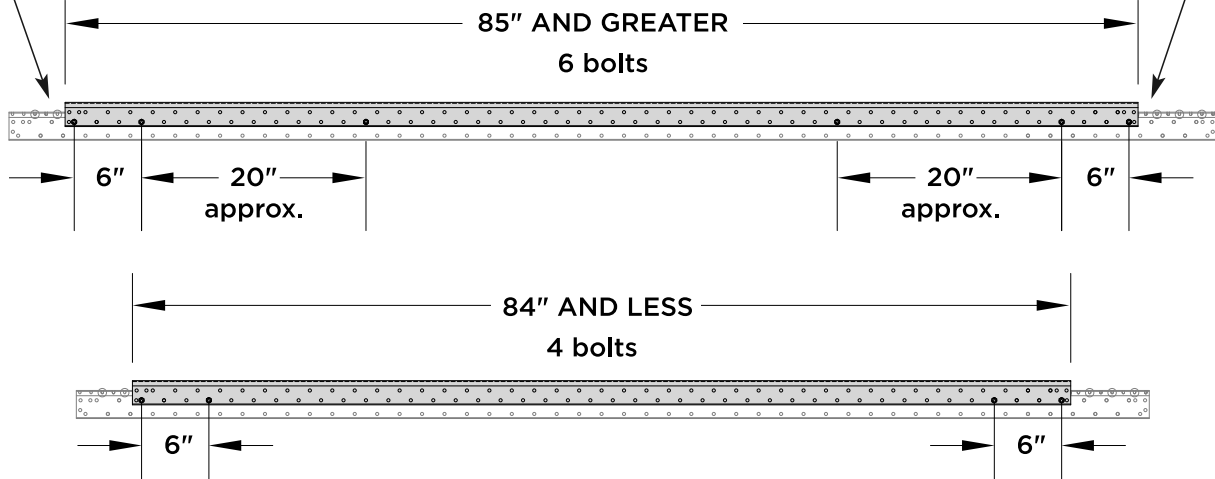


Suggested configuration - one side each track

- Center the guard rail along the edge of the track.
Use only odd length guard rail with odd length track, even with even.

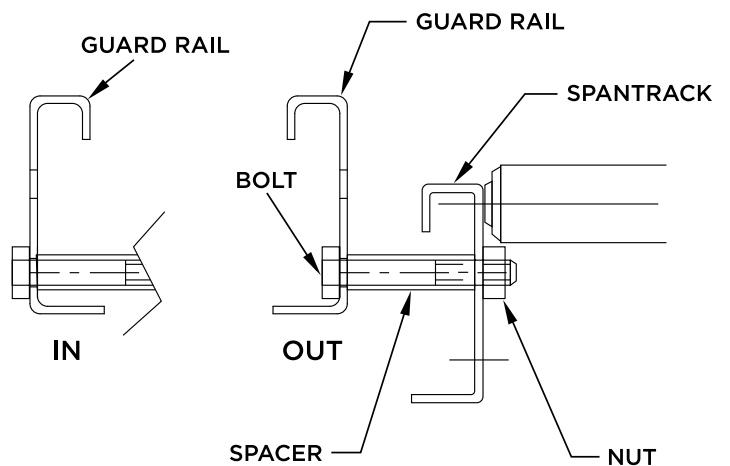
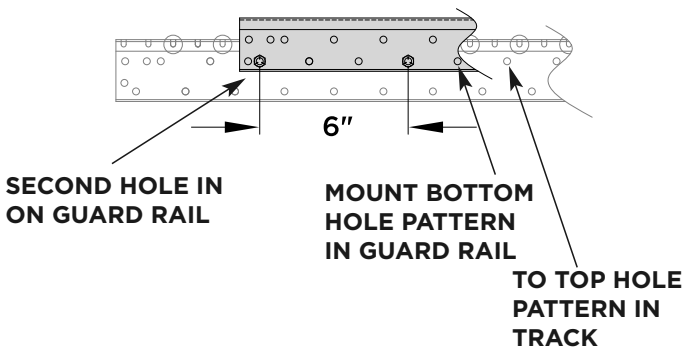
**FEED END - RECESS
GUARD ABOUT 6"**

**PICK END - RECESS GUARD
ABOUT 6" UP TO LENGTH
OF LONGEST BOX**



Note: When installing Guardrail on higher levels, ensure the end of the Guardrail is visible at the edge of the charge end. This will provide the loader a visual cue of where to place the box.

- Lining up holes as shown, fasten the guard rail to the track using the supplied spacers and bolts. Refer to the drawing in **step 1** for number of bolts and fastening locations. Guard rail can be mounted with in- or out-flange configuration.



UNEX has 4 standard size spacers:
0.75", 1.5", 2" & 2.5"