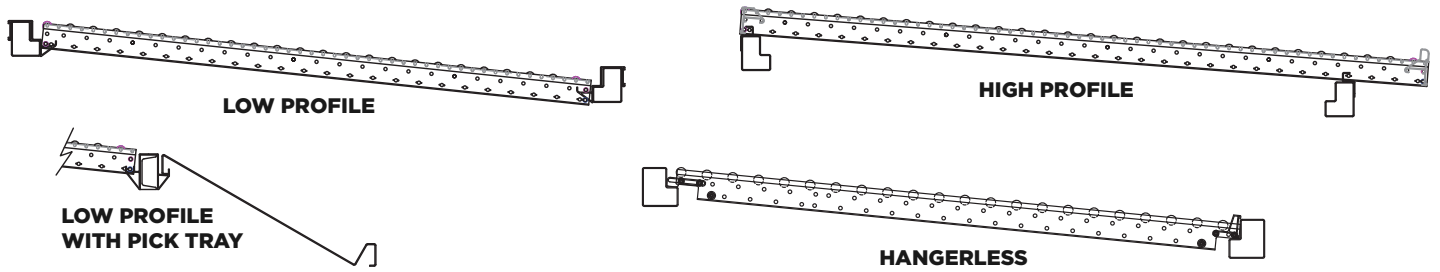


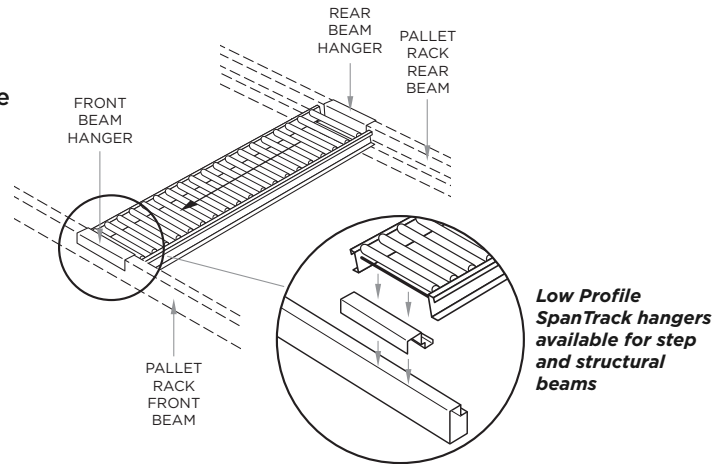
For detailed video installation instructions, please go to: www.unex.com/instructions

This installation guide shows how to install Low Profile, High Profile and Hangerless SpanTrack into pallet rack. Pick Tray, Rigid Splice and Bridge Splice installation is included inside.



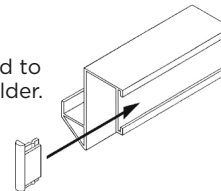
Straight sections of Low Profile SpanTrack install between pallet rack beams. Install the first level of track following the steps listed below, test for pitch, then repeat.

- 1 SET BEAMS**
Set front pallet rack beam to desired discharge elevation. Set rear beam at higher elevation for flow. Recommended pitch is 1 inch for every 1 foot of rack depth.



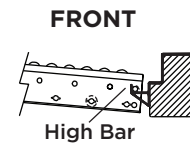
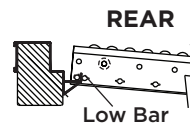
- 2 ADD LABELS AND END CAPS TO HANGERS (If applicable)**
Slip ID labels into slots and snap on end caps.

END CAPS
(included)
2 per hanger, add to sides of label holder.

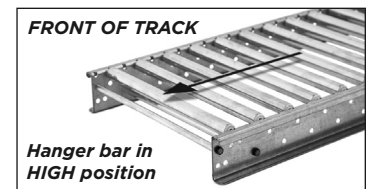
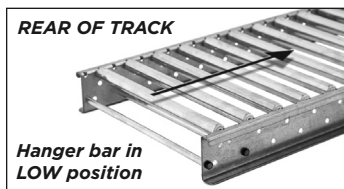


REPLACEABLE PRODUCT ID LABELS
(included)
Insert into built-in labelholders of hangers.

- 3 ADD HANGERS & TRACK**
Place one set of hangers on front & rear beams - do not force or hammer hangers onto beams. Note that front of track has a high hanger bar and rear of track has a low hanger bar (see diagrams). Place track in position on hangers.



Rollers at front of track should be lower than top of beam, which acts as a stop.



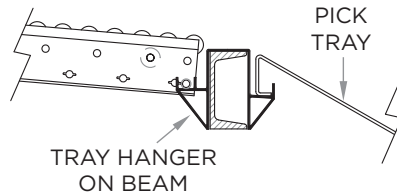
- 4 TEST PITCH**
Test installed track section for product flow to determine if rear beam needs readjustment for effective pitch. **IMPORTANT: Track section to be tested should be loaded and allowed to sit for 24 hours. Then remove cartons at pick face and check resulting flow. This is the most reliable way to ensure proper flow for your particular products and storage environment.**

For detailed video installation instructions, please go to: www.unex.com/instructions

The full width pick tray requires an 18" or 24" pallet rack upright or post extension of an upright. Rack framework must match pick tray sizes of 18" or 24" deep.

1 SET BEAMS & PLACE TRAY HANGER

See reverse (step 1) for setting beams. Place bridge hanger on a 3" - 4.1# structural beam (infinite adjustable not required). Place standard hanger on rear beam. Do not hammer or force hangers.



2 ADD TRACK

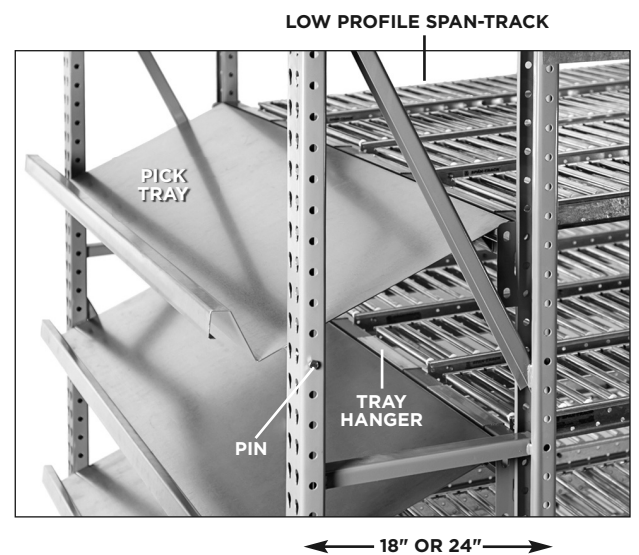
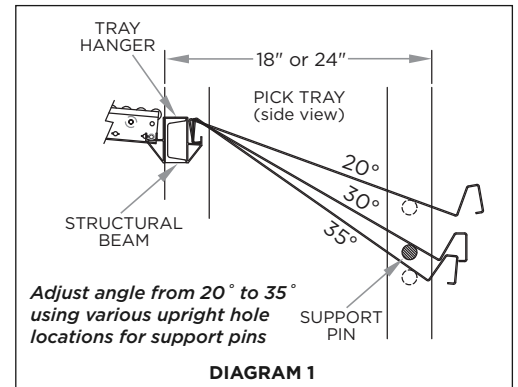
Place SpanTrack section in back lips of tray hanger as shown. End roller must not touch hanger. **Install and test one level of track for pitch (see reverse side - step 4).**

3 SET SUPPORT PINS & ADD TRAY

Mount support "pins" through side holes of front upright for desired pick tray angle (see diagram 1). Insert back edge of pick tray into the line of bridge hangers as shown. Underside (flat portion) of pick tray is supported at front by "pins". **NOTE: Top-heavy products may require shallower angle than indicated in diagram.**

- Pick tray is 1" narrower than bay width
- Pick tray does not affect the structural integrity of the rack
- In standard application, pick tray extends beyond front upright post by a maximum of 3-3/4" and a minimum of 1".

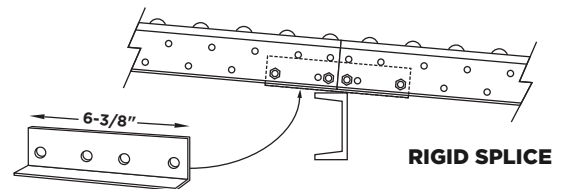
For structural posts, use double or single support brackets.



For detailed video installation instructions, please go to: www.unex.com/instructions

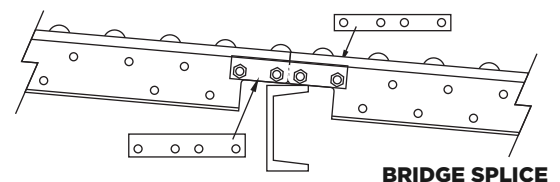
RIGID SPLICE

Identify the ends of both tracks that do not have end treatments (hanger bars, stop, impacts). Place angled metal splice bracket behind channel and secure with provided bolts.



BRIDGE SPLICE

Identify notched ends of tracks that do not have end treatments (stops, impacts, adjustable slider). Place metal bridge splice bar on the face of the channel and secure with provided bolts.



For detailed video installation instructions, please go to: www.unex.com/instructions

Straight and Knuckled high profile SpanTrack install **on** pallet rack beams. For each type of carton, install the first level of track following the instructions below and test for pitch before installing additional levels.

1 SET BEAMS

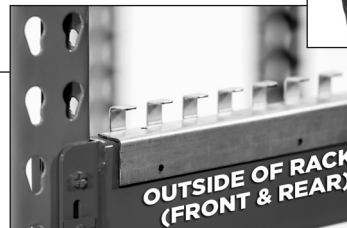
Set front pallet rack beam to desired discharge elevation. Set rear beam at higher elevation for flow. Recommended pitch is 1 inch for every 1 foot of rack depth.

Retainer angle installs on top outside (aisle side) edge of front and rear beams



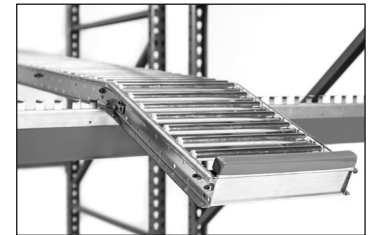
2 ATTACH RETAINERS: SpanTrack Lane

Attach pre-punched retainer angles to outside of front and rear beams using supplied tek screws (screws should be minimum 2 ft. o.c.)



ATTACH RETAINERS: SpanTrack Bed

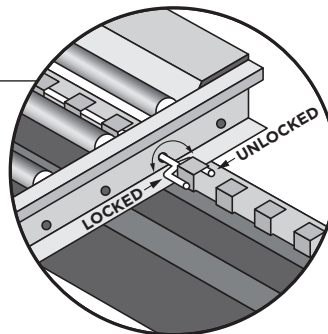
Attach brackets to rear of tracks with supplied 1/4" hardware.



When installing knuckled end SpanTrack, angled end of track **MUST** extend free and clear of front beam. Long, straight part of track should rest between retainer teeth.

3 ADD TRACK: SpanTrack Lane

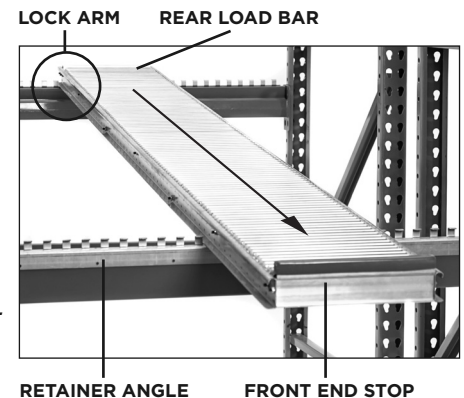
Locate lock arm at infeed end of track (near beam) and (with arm in unlocked position) hook onto teeth of rear retainer for desired front-to-back track position and overhang.* Adjust left-to-right to suit cartons being used. Flip lock arm to locked position.



ADD TRACK: SpanTrack Bed

Place track onto beams and secure brackets to beam face with tek screws.

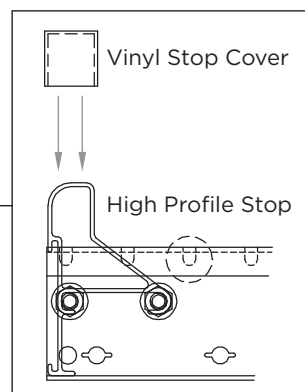
*Lock Arm pictured in locked position against retainer, and in unlocked position outside retainer. **NOTE:** Lock Arm is repositionable through holes in side channels. Use holes at end of track for track flush with beam. Use other holes if overhang (up to recommended maximum) is desired.



4 TEST PITCH

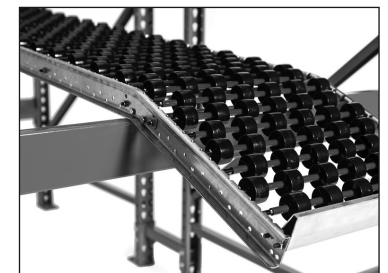
Test installed track section for product flow to determine if rear beam needs readjustment for effective pitch.

IMPORTANT: Track section to be tested should be loaded and allowed to sit for 24 hours. Then remove cartons at pick face and check resulting flow. This is the most reliable way to ensure proper flow for your particular products and storage environment.



5 SpanTrack Lane STOP COVER

Place the cover over the front stop to prevent cutting hazard. Cover may need to be stretched to fit properly.



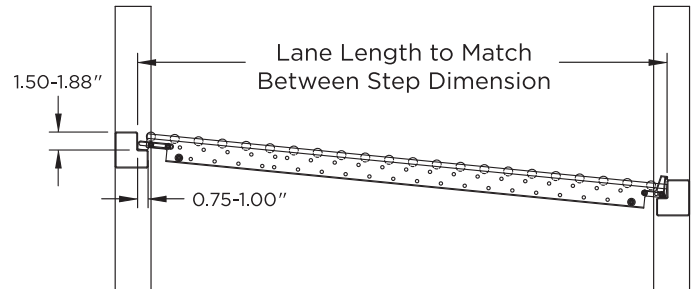
High Profile knuckled SpanTrack bed

For detailed video installation instructions, please go to: www.unex.com/instructions

Hangerless SpanTrack can be added to any standard pallet rack with step beams. Track sections are supported by the front and rear step beams. For each type of carton, install the first level of track following the instructions below and test for pitch before installing additional levels.

1 ADJUST BEAMS

Set front pallet rack beam to desired discharge elevation. Set rear beam at higher elevation for flow. Recommended pitch is 1 inch for every 1 foot of rack depth. (Example: 4 foot deep rack would require the rear beam to be set 4 inches higher than the front beam).



2 ADD TRACK

Adjust and tighten the two bolts holding the rear extrusion in position such that the track fits snugly between the steps of the step beams.

3 TEST PITCH

Test installed track section for product flow to determine if rear beam needs readjustment for effective pitch.

IMPORTANT: Track section to be tested should be loaded and allowed to sit for 24 hours. Then remove cartons at pick face and check resulting flow. This is the most reliable way to ensure proper flow for your particular products and storage environment.

For detailed video installation instructions, please go to: www.unex.com/instructions

1 ADJUST BEAMS

Set front pallet rack beam to desired discharge elevation. Set rear beam at higher elevation for flow. Recommended pitch is 1 inch for every 1 foot of rack depth. (Example: 4 foot deep rack would require the rear beam to be set 4 inches higher than the front beam).

2 ADD TRACK

Drop track onto beams

3 TEST PITCH

Test installed track section for product flow to determine if rear beam needs readjustment for effective pitch.

IMPORTANT: Track section to be tested should be loaded and allowed to sit for 24 hours. Then remove cartons at pick face and check resulting flow. This is the most reliable way to ensure proper flow for your particular products and storage environment.

