

For detailed video installation instructions, please go to: www.unex.com/instructions

UNEX BOLTED CONVEYOR SUPPORT

Adjustable Bracket

"H" Frame

Adjustable Bracket

Boot

3/8" strut nut (4)

3/8" flat washers (4)

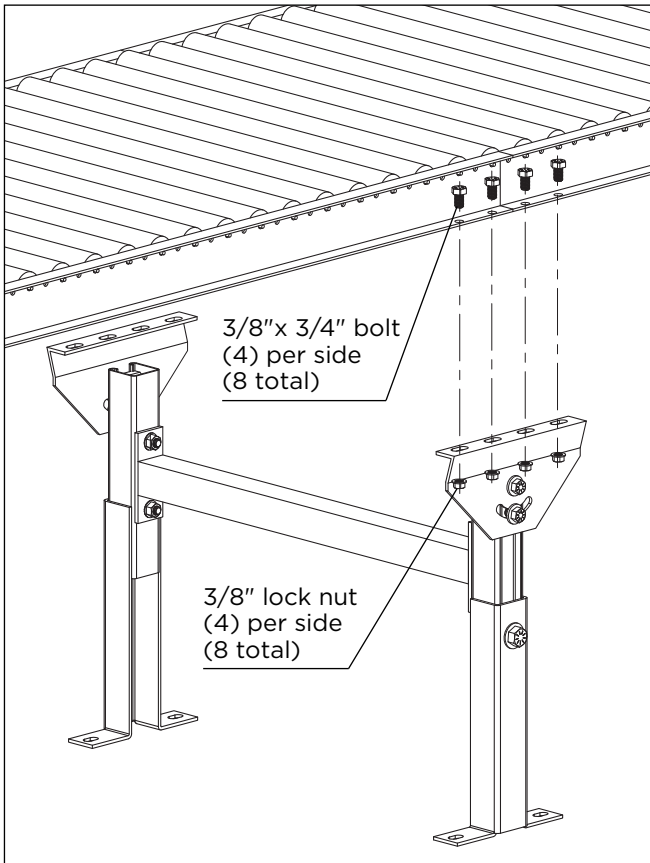
3/8"x 1" bolt (4)

1/2" strut nut (2)

1/2" flat washer (2)

1/2"x 1" bolt (2)

Boot



Secure leg supports to the floor utilizing the lag holes in the adjustable leg boot. Lag hardware not provided.

Tools Required:
 3/4" wrench
 9/16" wrench