

For detailed video installation instructions, please go to: www.unex.com/instructions

Assembling SpeedCartt requires:

- A 3/16" Allen wrench

DO NOT USE A HAMMER.

Before inserting any posts:

Check and back out any set screws that may be too far inset.

1 Assemble the framework

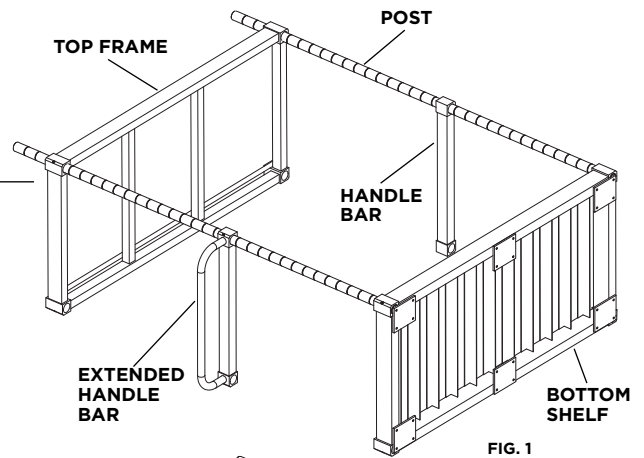
Set bottom shelf on the floor on its side. Position the first post into the bottom shelf, and tighten the set screw using the Allen wrench.

Slide the handle bar onto the first post.

Position the second post into the bottom shelf and tighten the set screw.

Slide the extended handle bar onto the second post.

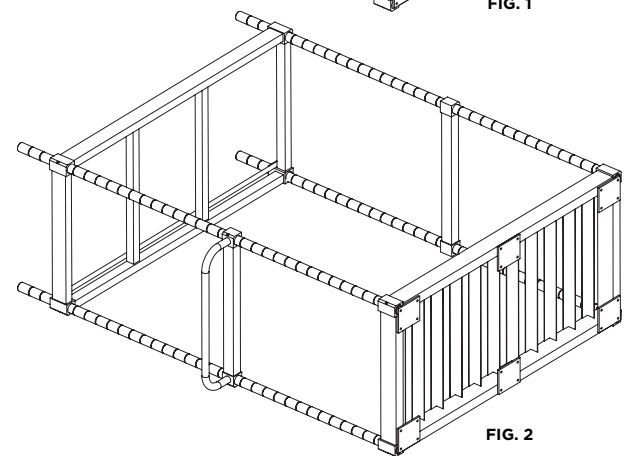
Slide the top frame onto the first and second posts. (FIG. 1)



2

Turn the framework over and inset the remaining posts. Tighten all set screws. (FIG. 2)

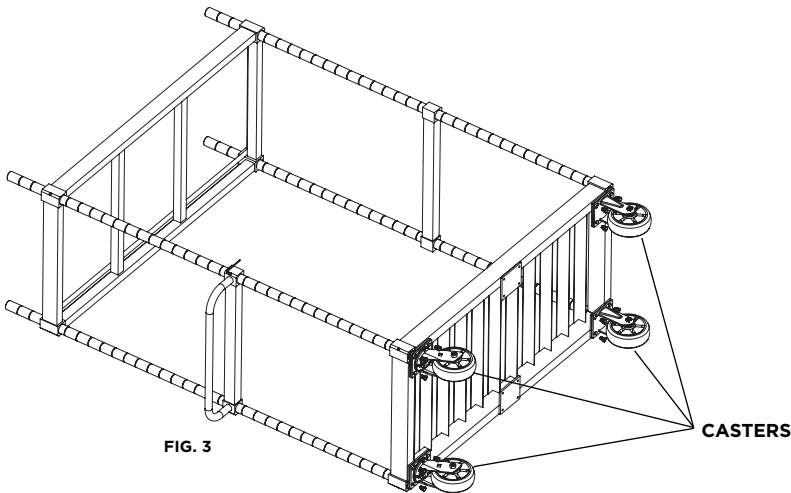
Place plastic inserts into holes on top of set screws to cover.



3

Install the casters

Attach one caster to each corner of bottom as shown. (FIG. 3)



4

Install the columns

Stand the Cartt upright on casters.

Thread the SpeedCell bag supports through the webbing loops on top of the columns, keeping the supports on top of the cross bars on the top frame. Repeat for front, middle and back supports. (FIG. 4)

Overlap the webbing loops on the supports to keep columns from separating.

